

# MILTECH™ 103

## Single GbE Port PoE Splitter With 72W Max. Output Power

The MILTECH 103 is a compact, rugged, standalone Single Port PoE Splitter designed to extract DC Power from a 100M/1G Power over Ethernet interface. The PoE splitter is useful for single cable PoE installation whereas legacy endpoint equipment is used with no support in PoE. This device simplifies the installation based on a single cable with no need in a dedicated power source near the endpoint equipment.

This Splitter supports one 100M/1G Ethernet port, supporting high-speed data transfer while providing up to 72W DC power to the legacy/non-PoE endpoint equipment. It is offered in 3 different models (5V/12V/24V DC OUT), ensuring compatibility with a wide range of devices. The MILTECH 103 is cyber-protected because it does not have any memory elements, ensuring no data storage vulnerabilities.

Built with a rugged aluminum chassis, the MILTECH 103 is conductively cooled with no moving parts, making it highly durable and compliant with MIL-STD-810 and MIL-STD-461 standards. It operates effectively in extreme temperatures ranging from -40°C to +85°C, ensuring reliable performance in a wide range of environmental conditions. The device is also dust and moisture-resistant, providing additional protection in challenging environments. Furthermore, the MILTECH 103 is compliant with REACH and RoHS standards, ensuring it meets environmental and safety regulations.

The MILTECH 103 is versatile and can be used in various military and defense scenarios. It is particularly suited for tactical communication systems, enhancing communication reliability and efficiency in the field. It is also ideal for surveillance systems, providing power and data connectivity for non PoE surveillance cameras and sensors.

The MILTECH 103 is part of a broader product line that includes various PoE solutions tailored to different needs. It can be coupled with either a PSE Ethernet Switch (e.g. MILTECH 610-PoE, MILTECH 910-PoE, MILTECH 1000/1100) or with MILTECH 102 standalone PoE injector device. These products are designed to meet the diverse requirements of modern military operations, ensuring that there is a suitable PoE solution for every scenario.

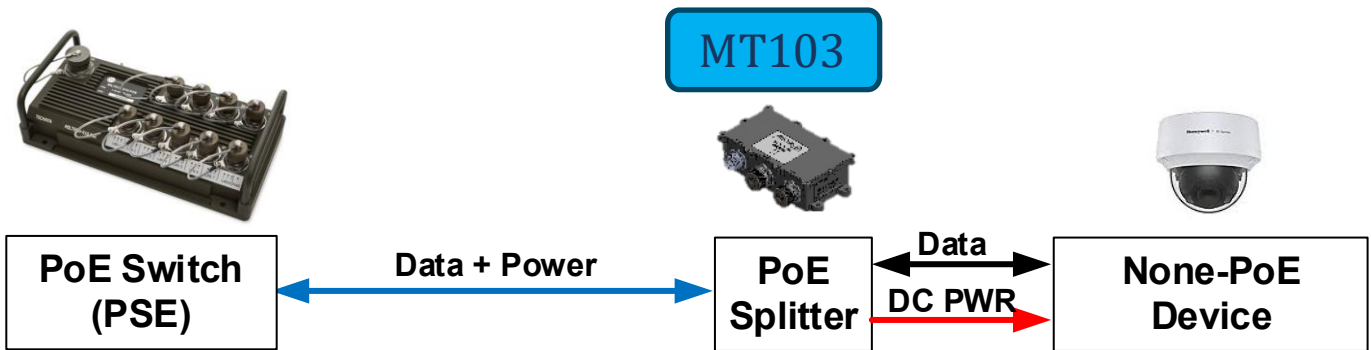


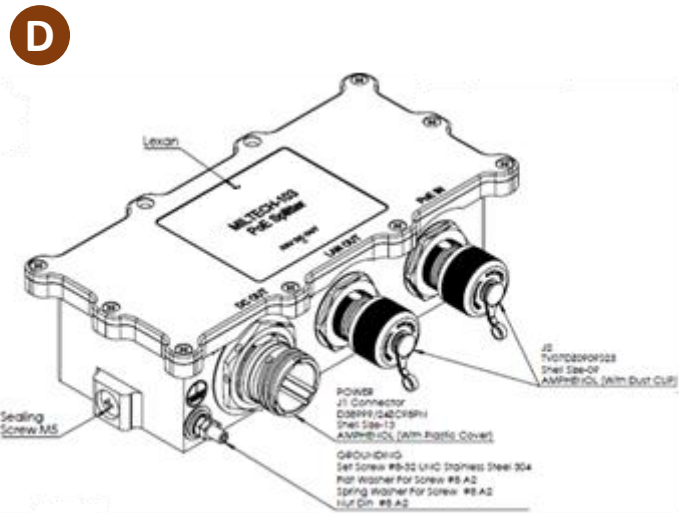
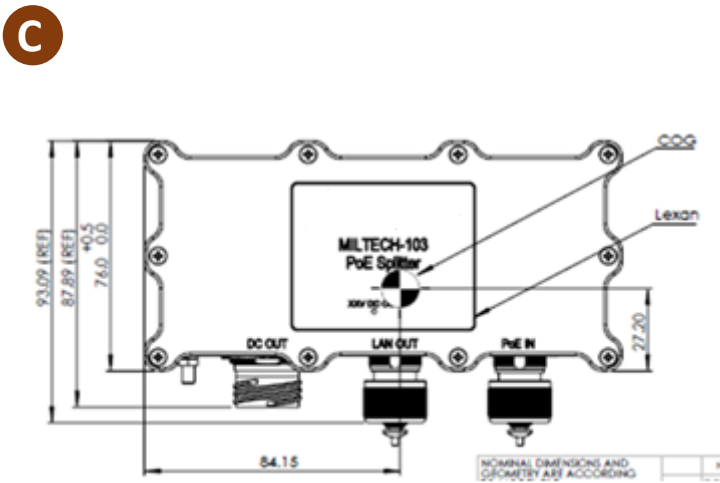
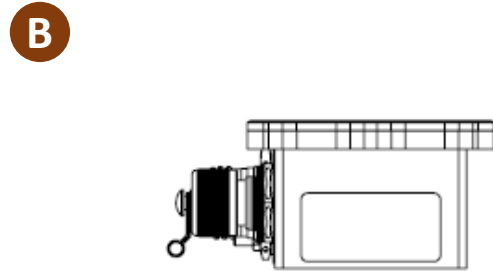
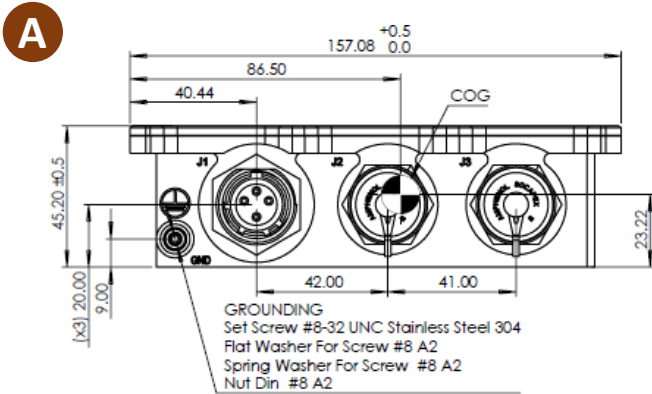


## SPECIFICATIONS

PORTS:	<ul style="list-style-type: none"> <li>• 1 x 10/100/1000BT port with PoE input</li> <li>• 1 x 10/100/1000BT port</li> <li>• 1 x DC output</li> </ul>
CONNECTORS:	<ul style="list-style-type: none"> <li>• J1 Power: D38999/24ZC98PN</li> <li>• J2 LAN: TV07DZ-9-9S(S25)</li> <li>• J3 PoE and Ethernet: TV07DZ-9-9S(S25)</li> <li>• Chassis ground: #8-32 UNC stainless steel screw</li> </ul>
POWER:	<ul style="list-style-type: none"> <li>• Power Input: All PoE standards, IEEE 802.3af, IEEE 802.3at, IEEE 802.3bt, PoH</li> <li>• Power Output per configuration: 24V@3A, 12V@6A, 5V@3A (dedicated product P/Ns)</li> </ul>
NETWORKING SECURITY:	<ul style="list-style-type: none"> <li>• No Memory elements</li> </ul>
EMC/ENVIRONMENTAL:	Design to Meet: <ul style="list-style-type: none"> <li>• MIL-STD-810</li> <li>• MIL-STD-461F</li> <li>• IP67</li> <li>• ROHS/REACH</li> </ul>
CHASSIS:	<ul style="list-style-type: none"> <li>• Low profile rugged machined aluminum</li> <li>• Conductively cooled</li> <li>• Ingress protection against sand, dust and moisture</li> <li>• Material: AL6061-T651 per AMS QQ-250/11</li> <li>• Anodize Coating, MIL-A-8625, Type II, Class 2, Black color</li> </ul>
PHYSICAL:	<ul style="list-style-type: none"> <li>• Dimensions: 157mm(L) x 76mm(W) x 45.2mm(H), not including connectors</li> <li>• Dimensions: 6.18" (L) x 2.99" (W) x 1.78" (H), not including connectors</li> <li>• Weight: Approx. 0.4KG (0.88lbs)</li> </ul>
COOLING:	<ul style="list-style-type: none"> <li>• No Moving Parts. Passive Cooling.</li> </ul>
TEMPERATURE:	<ul style="list-style-type: none"> <li>• Operational: -40°C to +85°C (-49°F to +185°F)</li> <li>• Storage: -40°C to +85°C (-49°F to +185°F)</li> </ul>

## Application Information:





## ORDERING INFORMATION

PART NUMBER	DESCRIPTION
1-103-010	Single GbE Port PoE Splitter With 72W Power Budget, Output Voltage 24V
1-103-011	Single GbE Port PoE Splitter With 72W Power Budget, Output Voltage 12V
1-103-012	Single GbE Port PoE Splitter With 15W Power Budget, Output Voltage 5V
2-CBL102PWR	J1 Power harness for MILTECH 103
2-CBL910PoELN	J2/3 LAN harness for MILTECH 103

