



MILTECH™ 304

Compact, Portable Military Fast Ethernet Switch

Driven by rapid advancement and lower costs, Ethernet is becoming the standard for IP-based components in a wide range of military and commercial land, sea, and air applications.

The MILTECH 304's ultra-compact, IP68 rugged construction, and Fast Ethernet make it the ideal switching solution for command post, man packable and UAV systems. Its four 10/100Mbps ports are plug-n-play with all Ethernet equipment and provide network connectivity for most portable Ethernet devices, including:

- Helmet-mounted heads-up displays
- Computers
- Navigation devices
- Communications systems
- IP-based sensors

With the best combination of size, weight, power and cost (SWaP-C) in the industry, the MILTECH 304 reduces load on the soldier, providing more space for equipment that increases effectiveness and survivability.

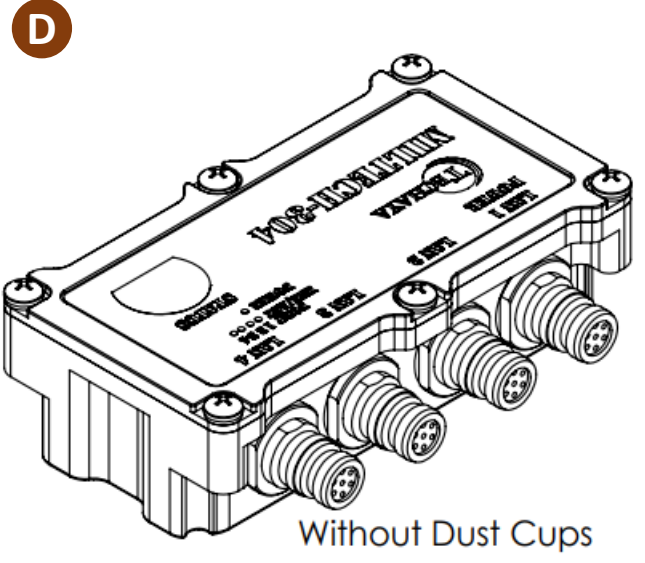
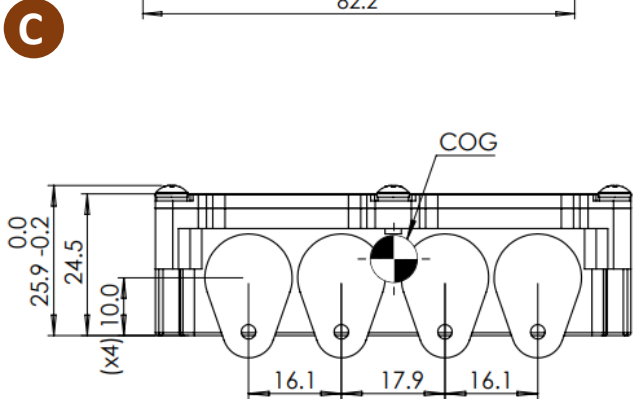
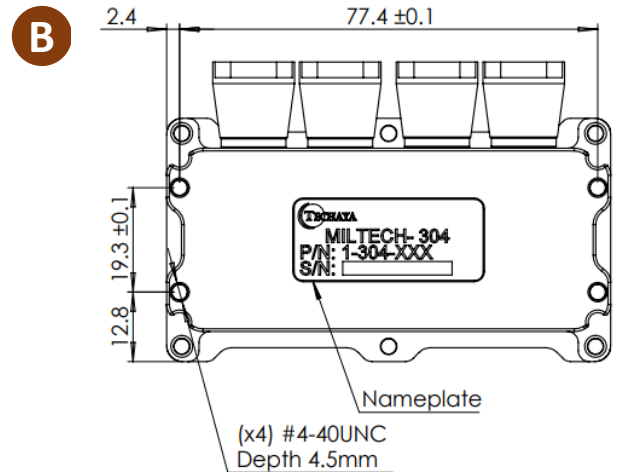
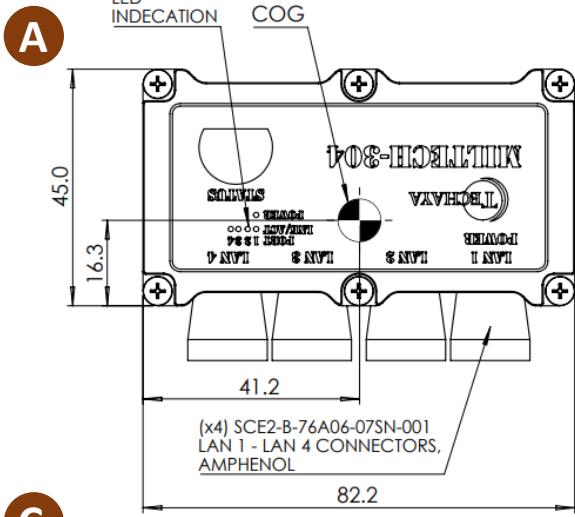
The MILTECH 304 operates on a wide range of readily available 5-28VDC power and may easily be powered from computers and other devices with USB ports. The MILTECH's mechanical packaging enhancements, including ruggedized SCE2 circular connectors, is designed for MIL-STD-810F airborne and ground environmental compliance and high reliability. Leveraging best-in-class switching technology, the MILTECH 304 serves as a robust commercial off-the-shelf (COTS) solution for rugged LAN connectivity.





SPECIFICATIONS

ETHERNET PORTS:	<ul style="list-style-type: none"> • 4 x 10/100BaseT ports
NETWORKING	<ul style="list-style-type: none"> • Full wire-speed forwarding rate • Store-and-forward mechanism • Auto MDI-II, MDI-X • Auto-Negotiation Protocol • Address Look-Up
CONNECTORS	<ul style="list-style-type: none"> • Power Connector: SCE2-B-76A06-07SN-001 • LAN Connector: SCE2-B-76A06-07SN-001 • LED Indication Per Port (Link/Activity)
CHASSIS	<ul style="list-style-type: none"> • Machined rugged aluminum • Conductively cooled w/custom internal heat-sinks • Ingress protection against sand, dust and moisture • Anodize Coating, MIL-A-8625, Type II, Class 2
STANDARDS	<ul style="list-style-type: none"> • MILSTD-461E, MILSTD-810F/G/GM, IP68
PERFORMANCE	<ul style="list-style-type: none"> • 128K Byte of SRAM for Frame Buffering • 2.0Gbps High-Performance Memory Bandwidth • Wire-Speed Reception and Transmission
STANDARDS COMPLIANCE	<ul style="list-style-type: none"> • IEEE 802.3 10 Mbps 10BASE-T (Ethernet) • IEEE 802.3u 100BASE-TX 100 Mbps (Fast Ethernet) • IEEE 802.3x Flow Control
POWER	<ul style="list-style-type: none"> • Voltage Input: 5-28VDC - Supports USB Sourcing • Power Consumption: 2W Typical • Chassis grounding
ENVIRONMENTAL	<ul style="list-style-type: none"> • MILSTD-810F/G/GM: • Random vibration (514.5I) , Bench Handling (516.6VI), High Temp.(501.5I,II), Low Temp.(502.5I), Humidity (507.5II), Air Pressure (500.5I,II), Blowing Rain (506.5I), Immersion (512.5I), Salt Atmosphere (509.5I), Blow- ing Dust (510.5I), Loose Cargo Vibration (514.6II), Wind Analysis, Acoustic Noise. • IP68
ELECTROMAGNETIC	<ul style="list-style-type: none"> • MIL-STD-461E Electromagnetic compatibility • CE-102, CS-114, CS-115, CS-116, RE-102, RS-103
PHYSICAL	<ul style="list-style-type: none"> • Dimensions: 82.2mm (L) x 53(W) x 26(H), Not including connector Dust Caps • Weight: 130g – Not including dust caps
INSTALLATION	<ul style="list-style-type: none"> • Portable, 4 screws for mounting to any flat surface • 4 x 4-40 UNC screws with locking helicoils
COOLING	<ul style="list-style-type: none"> • No Moving Parts. Passive Cooling
OPERATING TEMP	<ul style="list-style-type: none"> • -45°C to +85°C (-49°F to +185°F) – Cold Start-Up
STORAGE TEMP	<ul style="list-style-type: none"> • -51°C to +85°C (-60°F to +185°F)



ORDERING INFORMATION

PART NUMBER	DESCRIPTION
1-304-000	MILTECH 304, 4 x 10/100BaseT MIL-STD rugged switch
2-CBL308LN3M	LAN Harness for MILTECH308/304 MIL-SCE circular connector to RJ45, 3-meter length
2-CBL918TSNLAN	Power + LAN Harness for MILTECH308/304 MIL-SCE circular connector to RJ45 and 2 wire, 3-meter length