

MILTECH™ 610PoE

Military-grade Fast Ethernet PoE Switch

The MILTECH™ 610PoE is a military-grade Power over Ethernet (PoE) switch that supports 30W of PoE on all 8 Fast Ethernet 10/100 Ports - giving a total PoE power budget of 240 watts to power both 802.3af and 802.3at standard devices.

MILTECH™ 610PoE is ideal for mobile Ethernet-equipped platforms, such as vetronic, ground vehicles and aerial applications where traditional power sources have limited availability and supports COTS guidelines for PoE-enabled cameras, WiFi access points, mesh nodes and other devices.

Developed for military and harsh environment applications, the MILTECH™ 610PoE features mechanical packaging enhancements designed for MIL-STD-810F airborne and ground environmental compliance and high reliability.

The MILTECH™ 610PoE has been especially hardened to improve ingress, impact, and shock/vibration protection, as well as eliminate all moving parts through passive cooling, and interface through sealed MIL-D-38999 circular connectors.





bel

**AEROSPACE
& DEFENSE**

**Networking
Products**



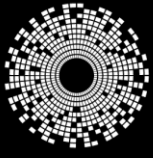
SPECIFICATIONS

ETHERNET PORTS:	<ul style="list-style-type: none"> 8 x 10/100BaseT ports
NETWORKING:	<ul style="list-style-type: none"> Full wire-speed forwarding rate Store-and-forward mechanism Auto MDI-II, MDI-X Auto-Negotiation Protocol Address Look-Up
CONNECTORS:	<ul style="list-style-type: none"> Power Connector: D38999/24WA98PA LAN Connector: D38999/24WA35SN Indication Per Port (Link/Activity, Speed, PoE)
CHASSIS:	<ul style="list-style-type: none"> Machined rugged aluminum Conductively cooled w/custom internal heat-sinks Ingress protection against sand, dust and moisture Painted Nato Green MIL-C-83286 TYPE-2 - FED 24079
PERFORMANCE:	<ul style="list-style-type: none"> 128K Byte of SRAM for Frame Buffering 2.0Gbps High-Performance Memory Bandwidth 2LED indication (Speed, Link/Activity) per port Wire-Speed Reception and Transmission Integrated Address Look-Up Engine Automatic Address Learning
STANDARDS COMPLIANCE:	<ul style="list-style-type: none"> IEEE 802.3 10 Mbps 10BASE-T (Ethernet) IEEE 802.3u 100BASE-TX 100 Mbps (Fast Ethernet) IEEE 802.3x Flow Control IEEE 802.3af, IEEE 802.3at
POWER:	<ul style="list-style-type: none"> Design to meet MIL-STD-1275 and MIL-STD-704 (no damage, surge and spikes protection) Voltage Input: 24Vdc Nominal (18-32V) Power Consumption: 6W Typical (excluding PoE) Chassis grounding
PoE:	<ul style="list-style-type: none"> Total PoE Budget 240W Maximum Consumption per port 30W Dynamic Power Allocation PoE Priority per port Full Comply to IEEE 802.3af, IEEE 802.3at No Power Degradation at +85°C Operates from Regular Military 24Vdc No need for additional PoE 48Vdc Input Optional GUI/Web Application for PoE Management
ELECTROMAGNETIC:	<ul style="list-style-type: none"> MIL-STD-461E. Contact us for available reports
ENVIRONMENTAL:	<ul style="list-style-type: none"> MIL-STD-810F/G. Contact us for available reports IP 67. Contact us for reports



bel AEROSPACE
& DEFENSE

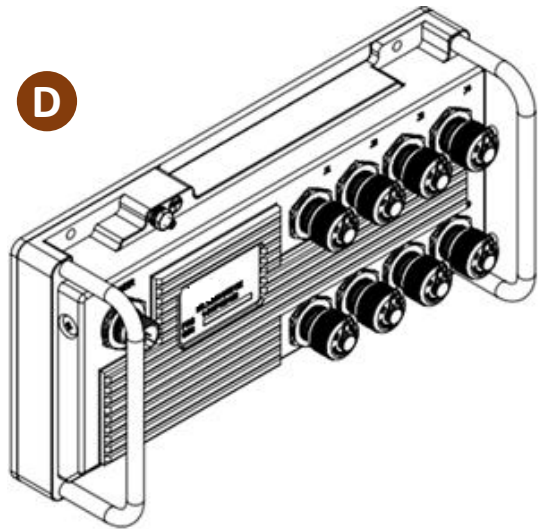
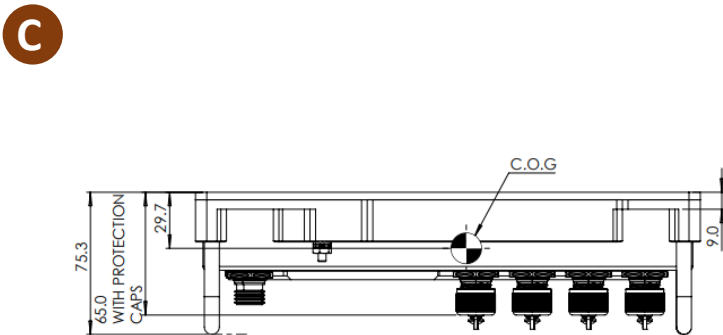
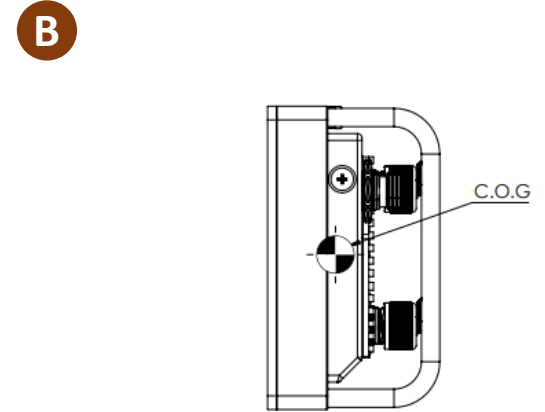
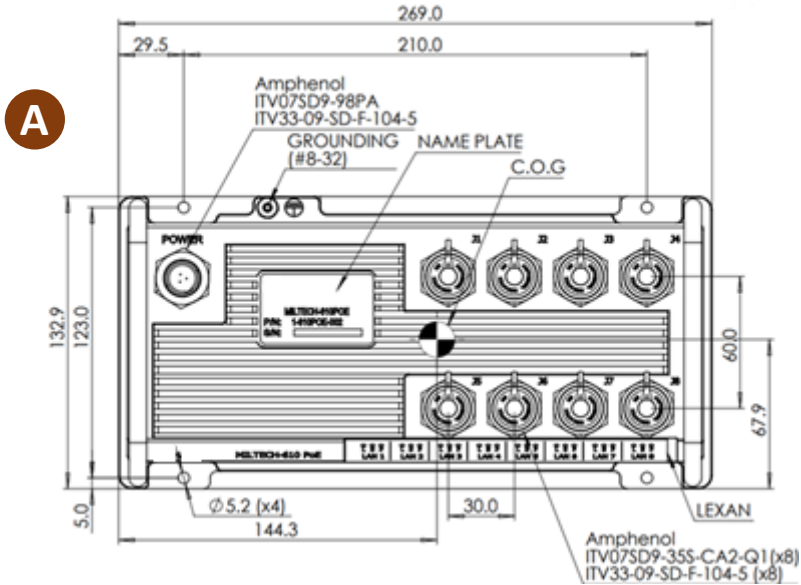
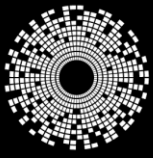
Ask us about our complete line of power and networking products.
sales-aerodef@belf.com • www.bel-aerospace-defense.com



SPECIFICATIONS

PHYSICAL:	<ul style="list-style-type: none">• Dimensions: 269mm (L) x 133(W) x 71(H), including connectors & hardware• Dimensions: 10.5" (L) x 5.2"(W) x 2.79"(H), including connectors & hardware• Weight: 2.2kg
INSTALLATION:	<ul style="list-style-type: none">• Four 4x5.2 mounting holes on bottom for mounting to any flat surface
COOLING:	<ul style="list-style-type: none">• No Moving Parts. Passive Cooling
OPERATING TEMP:	<ul style="list-style-type: none">• -40°C to +85°C (-40°F to +185°F) - Cold Start-Up
STORAGE TEMP:	<ul style="list-style-type: none">• -40°C to +85°C (-40°F to +185°F)





ORDERING INFORMATION

PART NUMBER	DESCRIPTION
1-610PoE-002	MILTECH610, military Rugged, 8 x PoE+ 10/100TX, Switch
2-CBL610PW3M	Power cable MILTECH610, MIL-D-38999 Connectors, 3 meter length
2-CBL708LN3M	LAN Cable for MILTECH610, MIL-D-38999 to RJ-45 Connectors, 3 meter length
800-H-0610-000	CARRYING HANDLES KIT FOR MILTECH610