



## MILTECH 406

Miniature Portable Communication Grid for Dismounted Soldier

The modern digital soldier is a fully equipped, advanced weapon and communication systems - outfitted with a multitude of electronic devices. These devices, such as a navigation systems, battery packs, headsets, warning sensors, video visor for weapons, night vision glasses and many more items, are necessary for "modern" warfare. All of these devices have to communicate to each other by means of top quality, reliable connection systems and the MILTECH406 does it all.

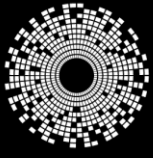
The MILTECH406 is communication grid combines LAN, USB, serial, and SMBUS communication for foot and dismounted soldiers. It is a perfect solution for connecting non-Ethernet and Ethernet devices as a transition to the future soldier all-Ethernet configuration.

The MILTECH406 outfits soldiers in the digital battlefield with a lightweight, fully integrated infantry combat systems. We offer a range of light-weight adaptable systems that are ideally suited for frontline forces in the most complex modern battlefield scenarios. This new and unique concept aggregates and delivers intelligence information along with all required communication in a tiny, light weight package that can be carried in smart combat vest solutions.



### SPECIFICATIONS

PORTS:	<ul style="list-style-type: none"> <li>• 6 x switched 10/100 (Fast Ethernet) ports</li> <li>• Up to 7 x USB 2.0 ports</li> <li>• 1 x Serial, RS-232 to USB</li> <li>• 1 x Smart Batteries SoC (SMBUS V.2.0), I<sup>2</sup>C to USB</li> <li>• 1 x External power source input</li> </ul>
SYSTEM OVERVIEW:	<ul style="list-style-type: none"> <li>• Providing SoC for batteries via SMBUS over USB interface</li> <li>• Providing Serial RS-232 over USB interface</li> <li>• Providing 6 x Ethernet switch over USB</li> <li>• Option to connect dedicated USB to Ethernet switch</li> <li>• Supports 0.5A per USB port power supply</li> <li>• Main USB port is connected to: <ul style="list-style-type: none"> <li>- 6 x Switched 10/100 ports</li> <li>- Up to 7 x USB 2.0 Ports</li> <li>- 1 x RS-232</li> <li>- 1 x SMBUS V.2.0 / I<sup>2</sup>C</li> <li>- Support up to 0.5A per USB port</li> </ul> </li> </ul>
CONNECTORS:	<ul style="list-style-type: none"> <li>• 6 x SCE2-B-76-A-07-14-SN, 14 PIN connector</li> </ul>

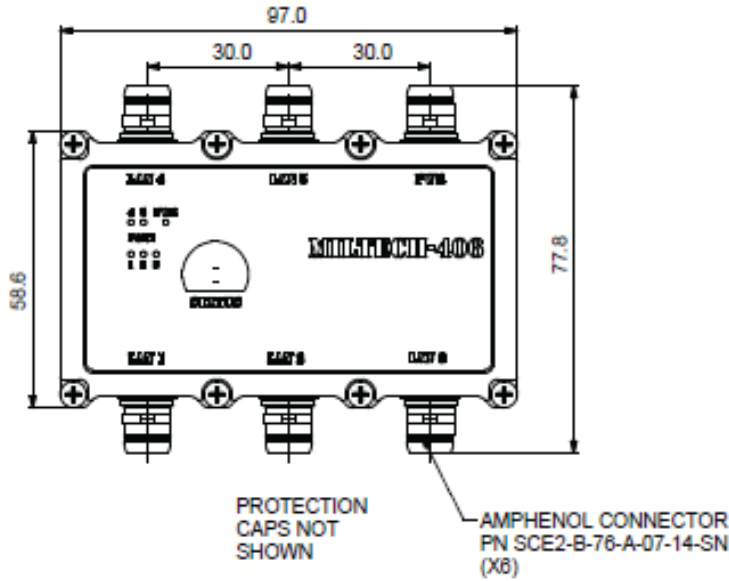


**SPECIFICATIONS**

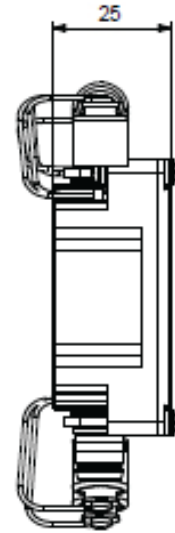
CHASSIS:	<ul style="list-style-type: none"> <li>• Conductively cooled w/custom internal heat-sinks</li> <li>• Ingress protection against sand, dust and moisture</li> <li>• Anodize Coating, MIL-A-8625, Type II, Class 2</li> </ul>
STANDARDS:	<ul style="list-style-type: none"> <li>• MILSTD-461E, MILSTD-810F GM, IP68</li> </ul>
SWITECH PERFORMANCE:	<ul style="list-style-type: none"> <li>• 128K Byte of SRAM for Frame Buffering</li> <li>• 2.0Gbps High-Performance Memory Bandwidth</li> <li>• Auto MDI-X and Auto-Negotiation on all ports</li> <li>• Wire-Speed Reception and Transmission</li> </ul>
STANDARDS COMPLIANCE:	<ul style="list-style-type: none"> <li>• IEEE 802.3, IEEE 802.3u 10BASE-T, 100BaseTX</li> <li>• IEEE 802.3x Flow Control</li> <li>• USB 2.0</li> <li>• SMBUS V.2.0</li> <li>• RS-232, Asynchronous</li> </ul>
POWER:	<ul style="list-style-type: none"> <li>• Voltage Input: 5Vdc @1A (USB input)</li> <li>• Power Consumption: 5W Typical</li> </ul>
ELECTROMAGNETIC:	<ul style="list-style-type: none"> <li>• MIL-STD-461E Electromagnetic compatibility</li> <li>• CE-102, CS-114, CS-115, CS-116, RE-102, RS-103</li> </ul>
ENVIRONMENTAL:	<ul style="list-style-type: none"> <li>• MILSTD-810F/G/GM:</li> <li>• Random vibration (514.5I), Bench Handling (516.6VI), High Temp.(501.5I,II), Low Temp.(502.5I), Humidity (507.5II), Air Pressure (500.5I,II), Blowing Rain (506.5I), Immersion (512.5I), Salt Atmosphere (509.5I), Blowing Dust (510.5I), Loose Cargo Vibration (514.6II), Wind Analysis.</li> <li>• IP68</li> </ul>
PHYSICAL:	<ul style="list-style-type: none"> <li>• Dimensions: 97mm (L) x 78mm(W) x 25mm(H), including connectors</li> <li>• Dimensions: 3.82" (L) x 3.07" (W) x 0.98" (H), including connectors</li> <li>• Weight: 150g</li> <li>• LED indication (Speed, Link/Activity) per port, Power</li> <li>• Dark Mode for all LED indications</li> </ul>
INSTALLATION:	<ul style="list-style-type: none"> <li>• Set of 4 mounting holes (2-56 UNC) for mounting to any flat surface.</li> </ul>
OPERATING TEMP:	<ul style="list-style-type: none"> <li>• -45 C to +85 C (-49 F to +185 F) – Cold Start-Up</li> </ul>
STORAGE TEMP:	<ul style="list-style-type: none"> <li>• -45°C to +85°C (-49°F to +185°F)</li> </ul>



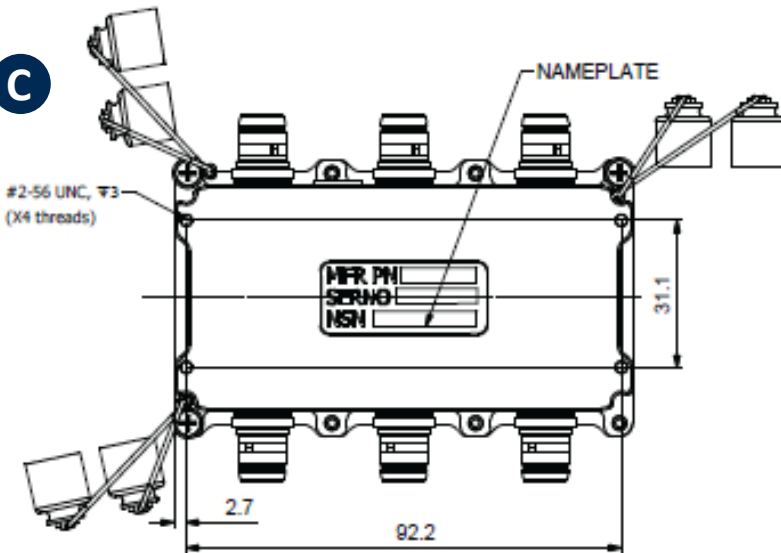
**A**



**B**



**C**



**ORDERING INFORMATION**

PART NUMBER	DESCRIPTION
1-406-000	Miniature portable communication grid
2-CBL406P01	Cable harness for MILTECH406 for port #1
2-CBL406P02	Cable harness for MILTECH406 for port #2
2-CBL406P03	Cable harness for MILTECH406 for port #3
2-CBL406P04	Cable harness for MILTECH406 for port #4
2-CBL406P05	Cable harness for MILTECH406 for port #5
2-CBL406P06	Cable harness for MILTECH406 for port #6

