



## MILTECH 610

Compact, Portable IP67 Military Fast Ethernet Switch

Ethernet is becoming the standard for IP-based components in a wide range of military and commercial land, sea, and air applications. When building communications where data prioritization is not a concern and the amount of traffic is low, unmanaged, Fast Ethernet switches can be an ideal solution.

The MILTECH 610's small size, IP67 rugged construction, and Fast Ethernet make it the ideal switching solution for command post, ground mobile and airborne applications. Its eight 10/100Mbps ports are plug-n-play compatible with all Ethernet equipment, providing network connectivity for most portable Ethernet devices, including:

- Rugged computers
- Navigation devices
- Voice and video communication systems
- IP-based sensors
- Battlefield communication C4ISR
- Combat vehicles, avionic and shipboard systems

The MILTECH 610 a robust unmanaged switch designed for harsh environments that require LAN connectivity between IP-enabled computers and peripherals.

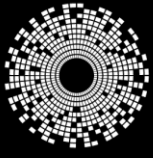
The MILTECH 610 operates on readily available 24VDC power and supports MIL-STD1275 so that it may be powered directly from any available battery in the field. The 610 is equipped with 8 LED link status indicator lights.

The MILTECH's mechanical packaging enhancements, including ruggedized D38999 circular connectors, is designed for MIL-STD-810F airborne and ground environmental compliance and high reliability. Leveraging best-in-class switching technology, the MILTECH 610 serves as a robust commercial off-the-shelf (COTS) solution for rugged LAN connectivity.



### SPECIFICATIONS

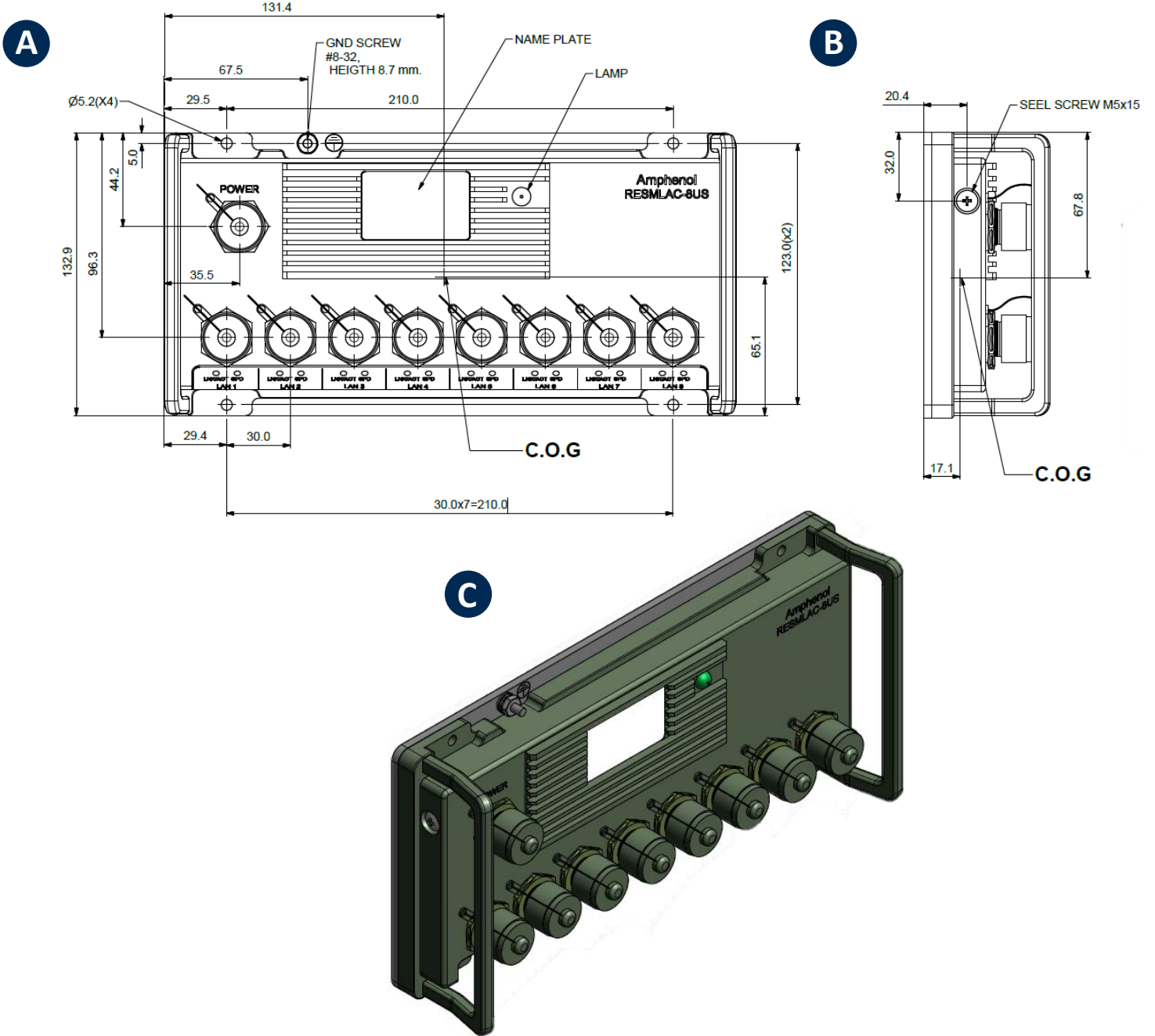
ETHERNET PORTS:	<ul style="list-style-type: none"> <li>• 8 x switched 10/100 (Fast Ethernet) ports</li> </ul>
NETWORKING:	<ul style="list-style-type: none"> <li>• Full wire-speed forwarding rate</li> <li>• Store-and-forward mechanism</li> <li>• Auto MDI-II, MDI-X</li> <li>• Auto-Negotiation Protocol</li> <li>• Address Look-Up</li> </ul>
CONNECTORS:	<ul style="list-style-type: none"> <li>• Power Connector: D38999/24WA98PA</li> <li>• LAN Connector: D38999/24WA35SN</li> <li>• Indication Per Port (Link/Activity)</li> </ul>
CHASSIS:	<ul style="list-style-type: none"> <li>• Machined rugged aluminum</li> <li>• Conductively cooled w/custom internal heat-sinks</li> <li>• Ingress protection against sand, dust and moisture</li> <li>• Anodize Coating, MIL-A-8625, Type II, Class 2</li> </ul>



## SPECIFICATIONS

STANDARDS:	<ul style="list-style-type: none"> <li>MILSTD-1275   MILSTD-704A   MILSTD-461E   MILSTD-810F GM   IP67</li> </ul>
PERFORMANCE	<ul style="list-style-type: none"> <li>IEEE 802.3 10 Mbps 10BASE-T (Ethernet)</li> <li>IEEE 802.3u 100BASE-TX 100 Mbps (Fast Ethernet)</li> <li>IEEE 802.3x Flow Control</li> </ul>
POWER:	<ul style="list-style-type: none"> <li>MIL-STD-1275B &amp; MIL-STD 704A Surge and Spike protection</li> <li>Voltage Input: 24Vdc Nominal (18-32V)</li> <li>Power Consumption: 2.8W Typical</li> <li>Chassis grounding</li> </ul>
ELECTROMAGNETIC:	<ul style="list-style-type: none"> <li>MIL-STD-461E Electromagnetic compatibility</li> <li>RE-02, RS-03</li> </ul>
SHOCK/VIBRATION/HUMIDITY:	<ul style="list-style-type: none"> <li>MIL-STD-810F   501.4I   501.4II   502.4I   502.4II 507.4   500.4II   514   516I   516Vi   514.5   512.4.</li> <li>IP67</li> </ul>
PHYSICAL:	<ul style="list-style-type: none"> <li>Dimensions: 269mm (L) x 133mm (W) x 71.7mm (H), including connectors</li> <li>Dimensions: 10.6" (L) x 5.2" (W) x 2.8" (H), including connectors</li> <li>Weight: 1.5kg</li> </ul>
INSTALLATION:	<ul style="list-style-type: none"> <li>Four 4 x 5.2 mounting holes on bottom for mounting to any flat surface</li> <li>Carrying handles - Optional</li> </ul>
COOLING:	<ul style="list-style-type: none"> <li>No Moving Parts. Passive Cooling</li> </ul>
OPERATING TEMP:	<ul style="list-style-type: none"> <li>-45°C to +85°C (-49°F to +185°F) – Cold Start-Up</li> </ul>
STORAGE TEMP:	<ul style="list-style-type: none"> <li>-45°C to +85°C (-49°F to +185°F)</li> </ul>





**ORDERING INFORMATION**

PART NUMBER	DESCRIPTION
1-610-000	MILTECH610, military Rugged, 8 x 10/100TX, Switch
2-CBL610PW3M	Power cable MILTECH-610, MIL-D38999 Connector, 3 meters length
2-CBL708LN3M	LAN cable for MILTECH 610, MIL-D38999 to RJ45 connector, 3 meters length
800-H-0610-000	Carrying Handels Kit for MILTECH610