



MILTECH™ M256

Rugged Small Size 256GB USB3.1 Flash Drive

The MILTECH M256 is a small, rugged, 256 GB USB 3.1 portable local data storage drive. It is ideal for securely uploading data to or downloading data from:

- Portable computers
- Navigation devices
- Communication systems
- Defense systems
- Combat vehicles, avionics and shipboard systems

For the highest level of data security and preventing data breaches, the MILTECH M256 features secure erase via external GPIO, read/write indication via external GPIO.

The MILTECH M256 comes with a variety of mechanical enhancements to ensure reliability, usability, and performance in harsh environments.

The unit's circular connector supports USB 3.1's high speed signals, with backward compatibility to USB 2.0. Using a dedicated ratchet, the connector is secure and vibration-proof. The pin shell's scoop-proof design prevents pins from being bent or contacts from being electrically shorted during mating. Blind insert capability uses polarity to help guide insertion in places not easily viewed.

Designed to meet MIL-STD-810F airborne and ground environmental compliance the MILTECH M256 delivers high reliability and durability. Leveraging best-in-class technology, the MILTECH M256 serves as a robust commercial off-the-shelf (COTS) solution for rugged and secure USB storage.



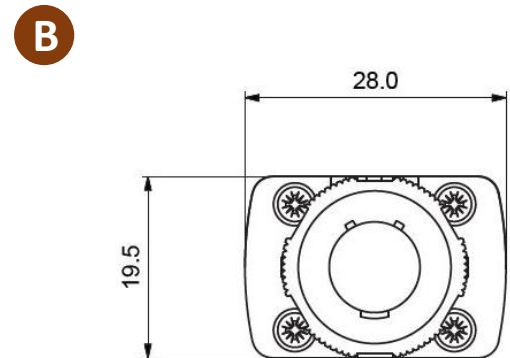
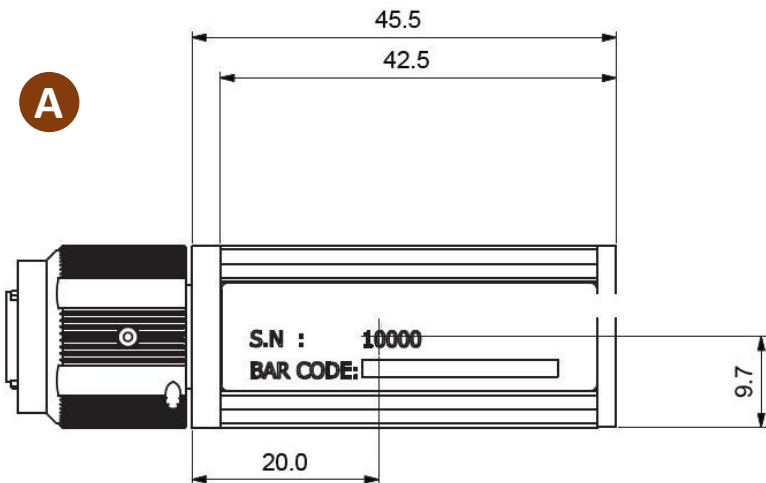
SPECIFICATIONS

FLASH MEMORY:	<ul style="list-style-type: none"> • Double Write and Read speed with Raid-0 • Optional Data Protection with Raid-1 • Status indication via external GPIO • Includes two flash memories • Option for Internal battery to support self powered secure erase
CONNECTORS:	<ul style="list-style-type: none"> • Amphenol circular connector 805 series, 10 pins • Support High Speed differential signals for USB 3.1 Gen-1 • Vibration proof via dedicated ratchet and 3-star thread • Scoop Proof
CASE:	<ul style="list-style-type: none"> • Low profile rugged aluminum • Conductively cooled w/custom internal heat-sinks • Black anodize coating



SPECIFICATIONS

POWER:	<ul style="list-style-type: none"> • USB bus powered (5V) • Power Consumption: Standby: 0.38W USB2: 0.9W USB3: 1.4W • Chassis grounding
ELECTROMAGNETIC:	<ul style="list-style-type: none"> • Design to meet MIL-STD-461
ENVIRONMENTAL:	<ul style="list-style-type: none"> • MIL-STD-810F. Contact us for available reports
PHYSICAL:	<ul style="list-style-type: none"> • Dimensions: 65mm (L) x 28mm(W) x 19mm(H), including connectors & hardware • Dimensions: 2.57"(L) x 1.102"(W) x .76"(H), including connectors & hardware • Weight: 65 gr
COOLING:	<ul style="list-style-type: none"> • No Moving Parts. Passive Cooling QoS consistency across stack / ring
OPERATING TEMP:	<ul style="list-style-type: none"> • -40°C to +85°C (-40°F to +185°F) - Cold Start-Up
STORAGE TEMP:	<ul style="list-style-type: none"> • -45°C to +85°C (-49°F to +185°F)



*All measurements are in millimeters

ORDERING INFORMATION

PART NUMBER	DESCRIPTION
1-M256-000	Military grade USB 3.1 Flash Drive 256GB
2-USBAM6464010	USB cable for MILTECH M64/M128/M256/M512