

M495-102

24VDC OUTPUT, 600W

AC/DC CONVERTER FOR PERMANENT MAGNET GENERATOR (PMG) APPLICATIONS.



M495-102 is a 600W non-isolated AC/DC converter.

The converter has a wide input supply range of 25Vrms (line to line) to 135V rms (line to line) and requires no minimum load for normal operation.

The converter has two D-type connectors for input and output.

In addition to the power lines the converter has an option for RPM signal responding according to line frequency, output voltage status discrete and input voltage analog signal.

The M495-102 is air forced cooled unit.

The unit has small cooling fins and fairly close to each other which is the design for forced cooling air (the unit usually mounted near engine in a UAV application) and have airflow from that direction.

The unit need about 12CFM for keeping operation at 60C ambient.

THE MAIN FEATURES OF THE M8139 ARE:

- Non-isolated AC/DC converter
- Wide input supply range of 25Vrms (line to line) to 135V rms (line to line)
- For extended input version - **Please contact factory for more details**
- two D-type connectors for input and output
- 600W non-isolated AC/DC converter
- Built-in EMI Input & Output Filters
- 25V_{line to line}-135 V_{line to line} input voltage range, compatible with the rectified output of most PMG's.
- Overload, Over-voltage and Over-temp protections
- Compatible with permanent magnet generator characteristics
- No external capacitors required
- No minimum load required
- Air forced cooled
- BIT output.
- Upon request, the output voltage can be factory trimmed above or below 24Vdc.

M495-102 – AC/DC CONVERTER FOR PMG

SPECIFICATIONS:

DC Input	Voltage and Frequency	Normal range: 25Vline to line-135 Vline to line 133Hz – 400Hz
	Isolation	Input to Chassis: 500VDC
DC Output	Rating	24V / 25A
	Ripple	Less than 500 mVp-p, typical
	Isolation	Output to Chassis: 500VDC
	Current Limit & Overload	SHORT CIRCUIT PROTECTION WITH AUTO-RECOVERY When output is overloaded (typical above 27A)output voltage is reduced as a result of the overload. The converter has a fold back type protection. At short conditions output current drops to about 10A in order to reduce dissipated power.
	Efficiency	See table on page 5
	Overvoltage Protection	OVERVOLTAGE PROTECTION WITH AUTO-RECOVERY The power supply contains an over voltage circuit that operates a shut down to the PWM circuit.

M495-102 – AC/DC CONVERTER FOR PMG

SPECIFICATIONS (CONT.):

Control & Indication	<i>Functions and Signals</i>	<p>VIN BIT This signal is used to indicate the input voltage of the generator.</p> <p>RPM This signal is used to indicate the RPM value of the generator.</p> <p>Under VOUT BIT The BIT output is an Open/Short type logic signal that indicates that the M495 is operating properly. The BIT signal is designed to interface with a 51 Ω pull-up resistor (on the receiving side). When no-fault detected ($20 < V_{out} < 24$) the signal will be short through 51Ω, when a fault is detected ($15 < V_{out} < 17$), the signal will be an open drain.</p>
Environment Designed to meet MIL-STD-810F	<i>Temperature</i>	Operating: -40°C to +85°C (at the bottom of the cooling fins) Storage: -40°C to +85°C
	<i>Humidity</i>	Method 507.4 - Up to 95% RH
	<i>Salt-fog</i>	Method 509.4
	<i>Mechanical Shock</i>	Saw-tooth 20g peak 10 msec
	<i>Vibration</i>	0.05 g ² /Hz, 50Hz-2kHz
	<i>Fungus</i>	Does not support fungus growth, in accordance with the guidelines of MIL-STD-454, Requirement 4.
EMI	Built-in EMI Input & Output Filters	
Cooling Requirements	The unit has small cooling fins and fairly close to each other which is the design for forced cooling air (the unit usually mounted near engine in a UAV application) and have airflow from that direction.	
Form factor	12mm wide, 40mm high, 90mm long, for detailed dimensions and tolerances see Drawing: M495001	
Weight	580gr	
Connectors	See Page 8	

M495-102 – AC/DC CONVERTER FOR PMG

ELECTRICAL CHARACTERISTIC

Unless otherwise specified: $V_{in} = 30$ to 200 Vdc, $T(amb) = -40^{\circ}\text{C}$ to $+71^{\circ}\text{C}$, $T(base) \leq 85^{\circ}\text{C}$.

PARAMETER	CONDITIONS	MIN.	TYP.	MAX.
Recommended Input voltage (line to line)	---	25 V_{rms}		135 V_{rms}
Output voltage	$I_{out} = 25A$	23.0 V_{DC}	24.0	25.0 V_{DC}
Output current	$V_{in} > 25V$	25A		
Efficiency Line / Load regulation	$V_{in} = 80V$ / max rated P_{out}		90%	
	$V_{in} = 25V$ to $135V$ $P_{out} = 10\%$ to max rated P_{out}			± 500 mV
Output ripple	Full load (resistive) with $0.1\mu F$, 20MHz BW			1 V_{p-p}
Input EMI current @ 600kHz	Input terminated through LISN			90 dB μA
Current limit threshold	$V_{in} = 90V$	15A		
Output turn-on time	$V_{in} > 25V$			200 msec
Bit OK signal Bit signal = short through 51Ω	V_{out} ok threshold	20V		24V
Bit OK fault level Bit signal = open	V_{out} fault threshold	15V		17V
Frequency at which turn-on is enabled Recommended Input voltage (line to line)	Output loaded with full load equivalent resistor ---	300 Hz		400 Hz

PIN ASSIGNMENT: Input Connector J1

Connector type: M24308/24-38 or eq.

Mates with: M24308/1-2 or eq.

PIN No.	Function
6,7,8,14,15	Phase A
4,5,11,12,13	Phase B
1,2,3,9,10	Phase C

PIN ASSIGNMENT: OUTPUT CONNECTOR J2

Connector type: M24308/23-27 or eq.

Mates with: M24308/3-3 or eq.

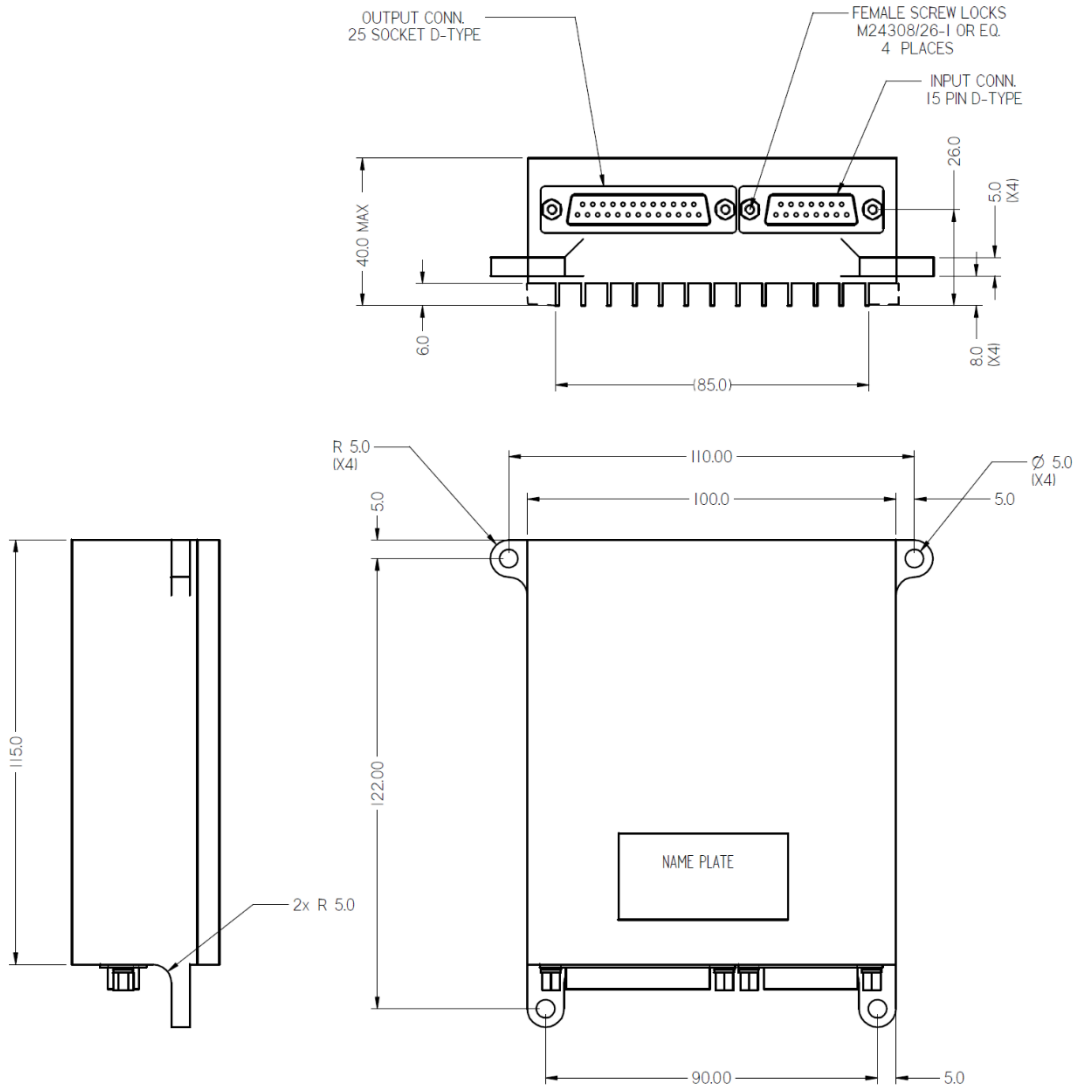
PIN No.	Description
1	VIN BIT
2	RPM
3-7,15-20	VOUT
8-13, 21-25	VOUT RTN
14	Under VOUT BIT

Note: All pins with identical function/designation should be connected together for optimal performance.

M495-102 – AC/DC CONVERTER FOR PMG

OUTLINE DRAWING

For detailed dimensions and tolerances see Drawing M495001



Note: Specifications are subject to change without prior notice by the manufacturer.