

## M6211 SERIES

DC/DC POWER SUPPLY



### PRODUCT HIGHLIGHTS

- MINIATURE
- HIGH DENSITY
- HIGH EFFICIENCY
- SINGLE OUTPUT
- DC/DC POWER SUPPLY
- UP TO 200 W

## M6211 SERIES DC/DC POWER SUPPLY

### Applications

Military (ground-fix, shipboard), Ruggedized, Telecom, Industrial

### Special Features

- Miniature size
- High efficiency
- Wide input range
- Input / Output isolation
- Remote Inhibit (on/off)
- ZVS Technology
- Fixed switching freq. (250 kHz)
- External sync. capability
- EMI filters included
- Remote sense compensation
- Non-latching protections:
  - Load current limiting
  - Output overvoltage & short
  - Over temperature shutdown

### Electrical Specifications

<p><b><u>DC Input</u></b> Voltage range: 18 to 48 V<sub>DC</sub></p> <p>Abnormal transient protection (no damage) MIL-STD-704A (80 V / 0.1 Sec)</p>	<p><b><u>DC Output</u></b> Voltage range: 1.5 to 28 V<sub>DC</sub> Current: 0 to 40 A Power: 0 to 200 W</p>	<p><b><u>Isolation</u></b> Input to output: 200 V<sub>DC</sub> Input to case: 200 V<sub>DC</sub> Output to case: 100 V<sub>DC</sub></p>
<p><b><u>Output Voltage Regulation</u></b> Less than ±1% (no load to full load, -55 °C to +85 °C).</p>	<p><b><u>Efficiency</u></b> 90 to 92% typical (12 V<sub>DC</sub> output, half to full load, room temperature)</p>	<p><b><u>EMC</u></b> Designed to meet* MIL-STD-461F CE101, CE102, CS101, CS114, CS115, CS116, RE101, RE102, RS101, RS103</p>
<p><b><u>Ripple and Noise:</u></b> Less than 50mV<sub>p-p</sub>, typical (max. 1%) without external capacitance. When connected to system capacitance ripple drops significantly.</p>	<p><b><u>Step Load Over-and-undershoot</u></b> Output resistance at load change of 50%-100% is 30-200 mΩ (depending on output voltage). Output resumes steady-state within 300-500 μs.</p>	<p><b><u>Turn-On Transient</u></b> No output overshoot during power on.</p>

\* Compliance achieved with 5μH LISN, shielded harness and static resistive load.  
If LISNs are required, use 5 μH type only. 50 μH type LISNs may induce oscillation in the converter.

## M6211 SERIES DC/DC POWER SUPPLY

### Protections \*

#### Input

- **Under Voltage Lock-Out**  
Unit shuts down below  $16.5V_{DC} \pm 1V_{DC}$
- **Over Voltage Lock-Out**  
Unit shuts down above  $52V_{DC} \pm 2V_{DC}$

#### Output

- **Active Over Voltage Protection**  
Internal control protects unit and load (no damage) if output exceeds nominal voltage by  $10\% \pm 5\%$  due to internal failure.
- **Passive Over Voltage Protection**  
Transorb across output selected at  $20\% \pm 10\%$  above nominal voltage.
- **Current Limiting**  
Continuous protection (10-30% above maximum current) for unlimited time (Hiccup).

#### General

- **Over Temperature Protection:**  
Output shuts down if base plate temperature exceeds  $+105^{\circ}C \pm 5^{\circ}C$ .  
Output recovers automatically when base plate temperature returns to below  $+95^{\circ}C \pm 5^{\circ}C$ .

\* Thresholds and protections can be modified / removed – please consult factory.

### Environmental Conditions

Design to meet MIL-STD-810F

#### Temperature

Operating:  $-55^{\circ}C$  to  $+85^{\circ}C$   
(measured at baseplate)  
Storage:  $-55^{\circ}C$  to  $+125^{\circ}C$

#### Humidity

Method 507.4  
Up to 95% RH.

#### Altitude

Method 500.4  
Procedures I & II  
0 to 70,000 ft. AMSL

#### Vibration

Method 514.5  
Category 24  
General minimum integrity exposure IAW Figure 514.5C-17, 1 hour per axis.

#### Salt Fog

Method 509.4

#### Shock

Method 516.5  
Procedure I  
Saw-tooth, 20 g peak, 11 ms

\* All environmental requirements can be tailored per customer needs– please consult factory.

### Reliability

150,000 hours, calculated IAW MIL-HDBK-217F Notice 2 at  $+85^{\circ}C$  baseplate, Ground Fix conditions.

### Environmental Stress Screening (ESS)

Including random vibration and thermal cycles is also available. Please consult factory for details.

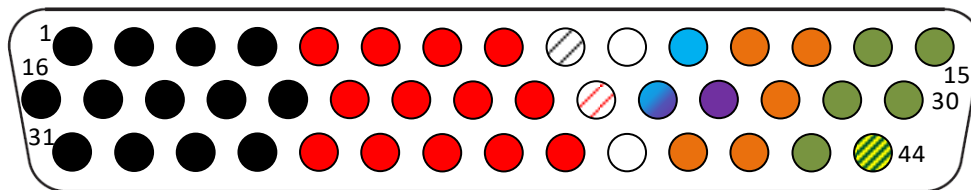
## M6211 SERIES DC/DC POWER SUPPLY

### Pin Assignment

**Connector type:** M24308/24-75F or eq.

**Mates with:** M24308/2-13F or eq.

Pin #	Function	P		Pin #	Function	P		Pin #	Function	P	
1	OUTPUT RTN	-	●	16	OUTPUT RTN	-	●	31	OUTPUT RTN	-	●
2	OUTPUT RTN	-	●	17	OUTPUT RTN	-	●	32	OUTPUT RTN	-	●
3	OUTPUT RTN	-	●	18	OUTPUT RTN	-	●	33	OUTPUT RTN	-	●
4	OUTPUT RTN	-	●	19	OUTPUT RTN	-	●	34	OUTPUT RTN	-	●
5	OUTPUT	+	●	20	OUTPUT RTN	-	●	35	OUTPUT	+	●
6	OUTPUT	+	●	21	OUTPUT	+	●	36	OUTPUT	+	●
7	OUTPUT	+	●	22	OUTPUT	+	●	37	OUTPUT	+	●
8	OUTPUT	+	●	23	OUTPUT	+	●	38	OUTPUT	+	●
9	SENSE RTN	-	○	24	OUTPUT	+	●	39	OUTPUT	+	●
10	N.C.			25	SENSE	+	○	40	N.C.		
11	INHIBIT	+	●	26	SIGNAL RTN	-	●	41	INPUT	+	●
12	INPUT	+	●	27	SYNC	+	●	42	INPUT	+	●
13	INPUT	+	●	28	INPUT	+	●	43	INPUT RTN	-	●
14	INPUT RTN	-	●	29	INPUT RTN	-	●	44	CHASSIS		●
15	INPUT RTN	-	●	30	INPUT RTN	-	●				



Note: All identically designated pins should be connected together for optimal performance.

## M6211 SERIES DC/DC POWER SUPPLY

### Functions and Signals

#### **INHIBIT** (pin 11)

*Direction:* Input

*Signal type:* 5V TTL or OPEN/SHORT.

*Return line:* **SIGNAL RTN** (pin 26)

*Description:* The **INHIBIT** signal is used to turn the power supply ON or OFF.

Applying logic "1" or leaving pin open will turn the power supply on.

Applying logic "0" or shorting the pin to its return line will turn the power supply off.

If this signal is not required, leave pin unconnected.

#### **SYNC** (pin 27)

*Direction:* Input

*Signal type:* 5V TTL.

*Return line:* **SIGNAL RTN** (pin 26)

*Description:* The **SYNC** signal is used to allow the power supply internal clock frequency to synchronize with an external user clock.

Valid external clock frequency range is  $250 \pm 10$  kHz.

Valid external clock duty-cycle is  $50\% \pm 10\%$ .

If left unconnected, the power supply will operate from internal clock, set at  $250 \pm 10$  kHz.

#### **SIGNAL RTN** (pin 26)

*Description:* Return line for **INHIBIT** (pin 11) and **SYNC** (pin 27) signals.

This pin is referenced to the **INPUT RTN** (pins 14, 15, 29, 30 and 43).

#### **SENSE** (pin 25) and **SENSE RTN** (pin 9)

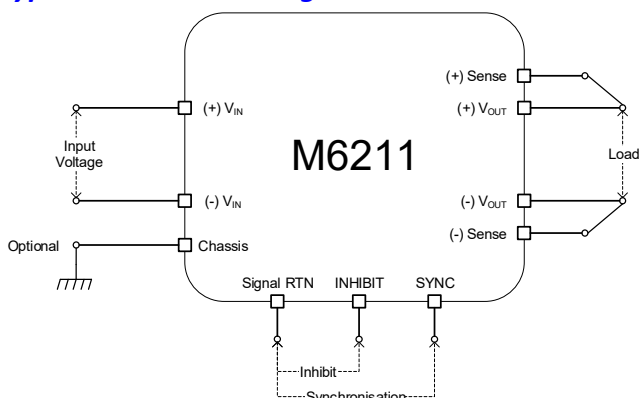
*Direction:* Output

*Description:* The remote sense compensation function is used to achieve accurate load regulation at the load terminals. This is done by measuring the voltage at the load terminals and setting the output voltage to higher than nominal, in order to compensate for the voltage dropped across the output harness.

The use of this function is limited to between 2 to 10% of nominal voltage, depending on output voltage.

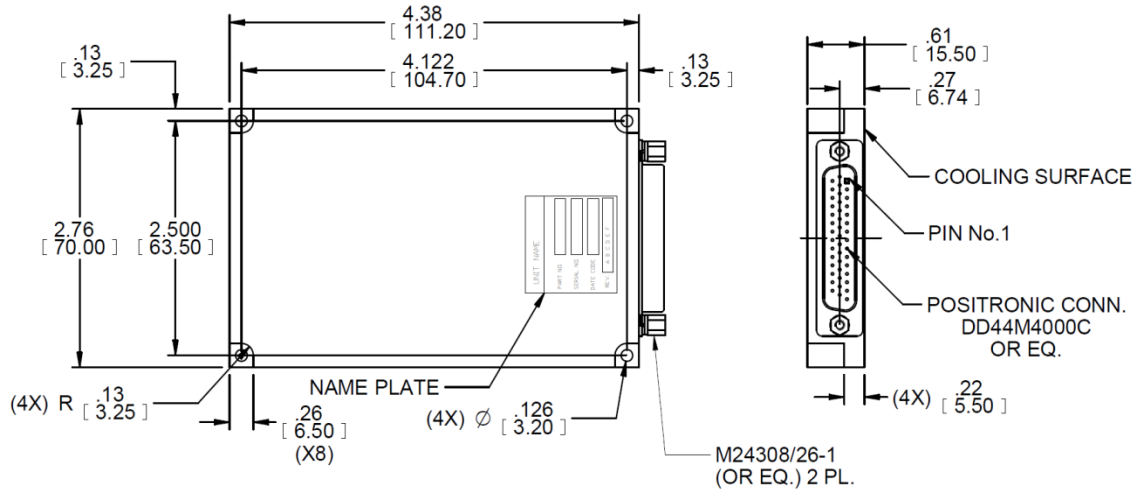
If this function is not required, connect **SENSE** directly to **OUTPUT** (pins 5-8, 21-24 and 35-39) and **SENSE RTN** directly to **OUTPUT RTN** (pins 1-4, 16-20 and 31-34)

### Typical Connection Diagram

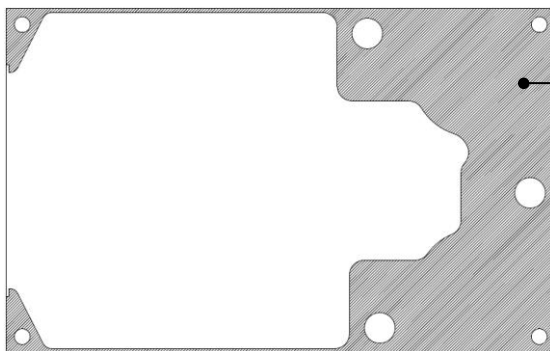


**M6211 SERIES DC/DC POWER SUPPLY**

**Outline Drawing**



**Heat Dissipation Surface**



**Heat Dissipation Surface Area**  
3.73 in<sup>2</sup>  
[2404 mm<sup>2</sup>]

**Notes**

1. Dimensions are in inches [mm]
2. Tolerance is:  
.XX ± 0.01 in  
.XXX ± 0.005 in
3. Weight: Approx.200 g [7.05 oz]

## M6211 SERIES DC/DC POWER SUPPLY

*Standard Models List (for other voltages – consult factory)*

Part Number	Input	Output		Power
	Voltage range	Voltage	Current	
M6211-100	18-48V	1.8V	40A	72W
M6211-101	18-48V	2.5V	40A	100W
M6211-102	18-48V	3.3V	40A	132W
M6211-103	18-48V	5V	40A	200W
M6211-104	18-48V	12V	16.5A	198W
M6211-105	18-48V	15V	13A	195W
M6211-106	18-48V	24V	8.3A	200W

- Additional standard configurations available. **Contact factory for more details.**
- All of our products can be configured to comply with EU REACH regulations. **Contact factory for more details.**

**Note: Specifications are subject to change without prior notice by the manufacturer**