

M8254 SERIES

A DUAL-OUTPUT, 200W DC TO DC POWER SUPPLY

The M8254 is a series of mechanically robust, baseplate cooled, high performance, power supplies, designed for Ground Mobile (MIL-STD-1275), Airborne (MIL-STD-704) and other Hi-Reliability applications.

The M8254 converts 28VDC to a well-regulated, filtered and protected DC Output 200W.

The product meet MIL-STD requirements (specified herein)



M8254 SERIES DC/DC POWER SUPPLY

M8254 Standard configuration table:

Part number	Input	Outputs		Output Power
	Voltage range	Output #1	Output #2	
M8254-100	10 to 48 VDC	28V/6A	5V/3A	183W
M8254-101	10 to 48 VDC	24V/7A	15V/1.5A	190.5W
M8254-102	10 to 48 VDC	6V/16A	12V/2A	120W

Other options available – consult factory

M8254 SERIES DC/DC POWER SUPPLY

THE MAIN FEATURES OF THE M8254 ARE:

- DC/DC Dual output power supply
- When the minimum input voltage is 9V the output power is up to 180W
- When the minimum input voltage is 12V the output power is up to 200W
- Standard input version: 9 to 48 VDC
- Can be configure as charger
- Can be configure to meet MIL-STD-1275E
- Complies with MIL-STD-461F
- Output #1 3.3V to 48V @ Max 160W
- Output #2 3.3V to 48V @ Max 40W
- High efficiency
- Full galvanic isolation between Input, Chassis and Outputs.
- External Inhibit (On/Off)
- Fixed switching freq. (250 kHz)
- EMI filters included
- Remote sense compensation
- Indefinite short circuit protection with auto-recovery
- Over-voltage shutdown with auto-recovery
- Over temperature shutdown with auto-recovery
- High density
- Conduction cooled via the baseplate
- J-STD-001B and IPC-610A Class-3 workmanship
- Conformal Coating per MIL-I-46058C and IPC-CC-830

M8254 SERIES DC/DC POWER SUPPLY

SPECIFICATIONS:

DC Input	Voltage and Frequency	10 to 36 VDC 9 to 48 VDC
	Isolation*	Input to Output: 200 VDC Input to Case: 200 VDC
	Reverse Polarity Protections	Protection for unlimited time
DC Output	Rating	See table on page 10
	Voltage Regulation	±1% or better (no load to full load, low line to high line, -46 °C to +85 °C).
	Ripple & Noise	Max. 1% of output voltage without external capacitance. When connected to system capacitance ripple drops significantly.
	Isolation	Output to Case: 200 VDC
	Current Limit & Overload	Continuous protection (10-30% above maximum current) for unlimited time (Hiccup).
	Efficiency	Minimum 80%-85%
	Overvoltage Protection	OutputActive Over-Voltage Protection: The power supply shall protect the outputs from overvoltage greater than 110% of the specified outputvoltage.
Over Temp. Protection	Output shuts down if base plate temperature exceeds +105°C ± 5°C. Automatic recovery when baseplate temperature returns to below +95°C ± 5°C.	

M8254 SERIES DC/DC POWER SUPPLY

SPECIFICATIONS (CONT.):

Control & Indication	<i>INHIBIT* Input</i>	<p>The INHIBIT signal is used to turn the power supply ON and OFF. To turn the power supply OFF, apply a TTL “0” signal or SHORT to SIGNAL RTN.</p> <p>To turn the power supply ON, apply a TTL “1” signal or leave this pin OPEN.</p> <p>If not used (always ON), leave this pin OPEN.</p> <p>This signal is referenced to SIGNAL RTN.</p>
	<i>VOUT SENSE</i>	<p>The SENSE is used to achieve accurate load regulations at load terminals (this is done by connecting the pins directly to the load’s terminals). The use of remote sense has a limit of voltage dropout between converter’s output and load terminals up to 0.25V.</p> <p>When not used connect SENSE to OUT and SENSE RTN to OUT RTN.</p>
Environment Designed to meet MIL-STD-810H	<i>Temperature</i>	<p>Operating: –46 °C to +85 °C (at baseplate) Storage: –46 °C to +105 °C</p>
	<i>Humidity</i>	<p>Method 514.8 , 516.8 Procedure I & VI Up to 95%-100%</p>
	<i>Salt-fog</i>	<p>Method 509.4</p>
	<i>Altitude</i>	<p>Method 514.8 & 516.8 Procedures I & VI Up to 10,000 ft. AGL</p>
	<i>Mechanical Shock</i>	<p>Functional Shock IAW MIL-STD-810H, Method 516.8, Procedure-I, SRS Curve for Functional Test for Ground Equipment (40g peak, 45hz crossover frequency).</p>
	<i>Vibration</i>	<p>Functional Vibration IAW MIL-STD-810H, Method 514.8, Procedure-I, Cat 4, Composite Wheeled Vehicle Unknown Orientations (Figure 514.8C-6 / Table 514.8C-VIII).</p>
	<i>Fungus</i>	<p>Method 509.5 Does not support fungus growth, in accordance with the guidelines of MIL-STD-454, Requirement 4.</p>
EMI	<i>MIL-STD-461F</i>	<p>Meets* MIL-STD-461F CE101, CE102, CS101, CS114, CS115, CS116, RE101, RE102, RS101, RS103 *EMC Compliance achieved with 5µH LISN, shielded harness and static resistive load.</p>

M8254 SERIES DC/DC POWER SUPPLY

Reliability	150,000 hours, calculated per MIL-HDBK-217F Notice 2 at +85 °C baseplate, Ground Fix conditions.
Cooling Requirements	The M8254 is a baseplate cooled unit. The base of the M8254 should be thermally attached to a suitable heatsink that maintains it below +85 °C.
Form factor	3.091" wide, 1" high and 5.512" deep. For detailed dimensions and tolerances see Drawing: M8254001
Weight	500gram Typical
Connectors	See Page 7

M8254 SERIES DC/DC POWER SUPPLY

PIN ASSIGNMENT:

Connector type: DD44M4000C or eq.

Mates with: M24308/2-13F or eq.

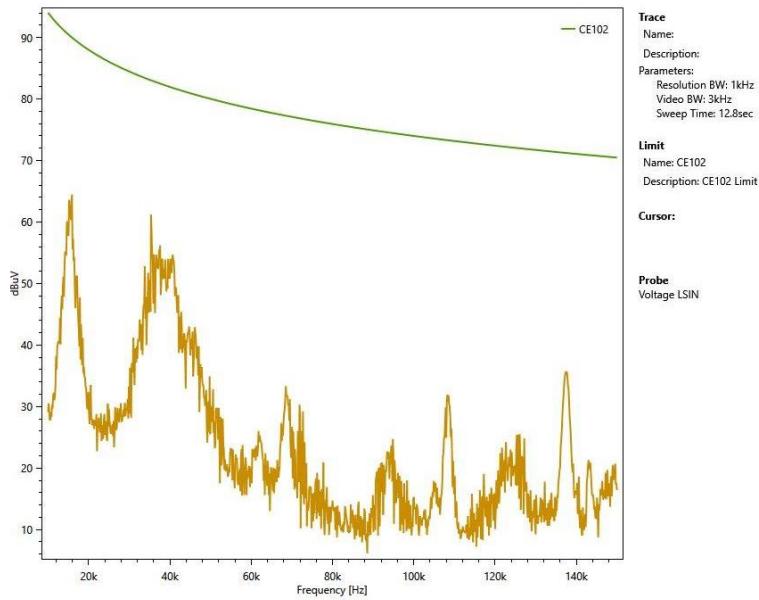
Function	Pin No.
VIN	12,13,14,27,28,29,42,43
VIN RTN	9,10,11,25,26,39,40,41
OUT 1	1,2,16,17,31,32
OUT 1 RTN	3,4,18,19,33,34
+SENSE 1	36
-SENSE 1	35
OUT 2	5,6,20,21
OUT 2 RTN	7,8,22,23
+SENSE 2	38
-SENSE 2	24
INHIBIT	44
SYN	30
SIGNAL RTN	15
CHASSIS (Not Used)	37

Note: All pins with identical function/designation should be connected together for optimal performance.

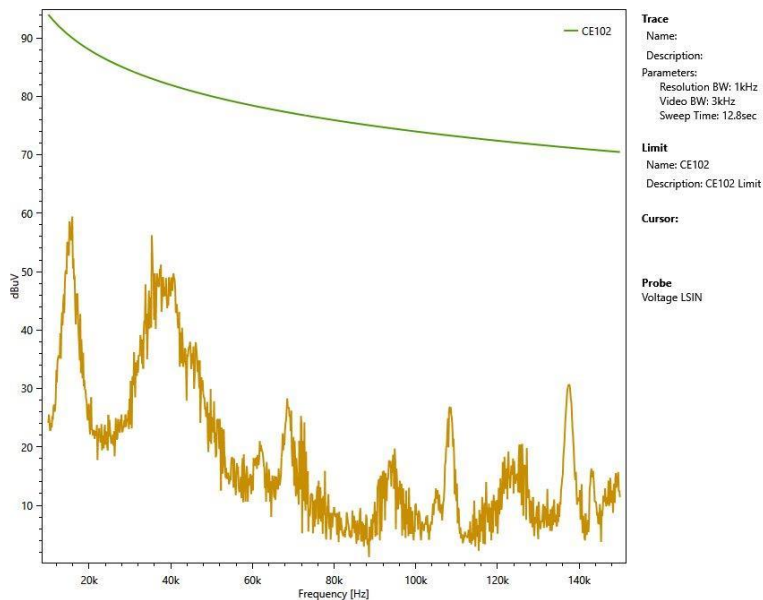
M8254 SERIES DC/DC POWER SUPPLY

TEST RESULT

CE102 MIL-STD-461F Conducted Emission, 10 kHz -150 kHz Line (nominal input voltage, full load)



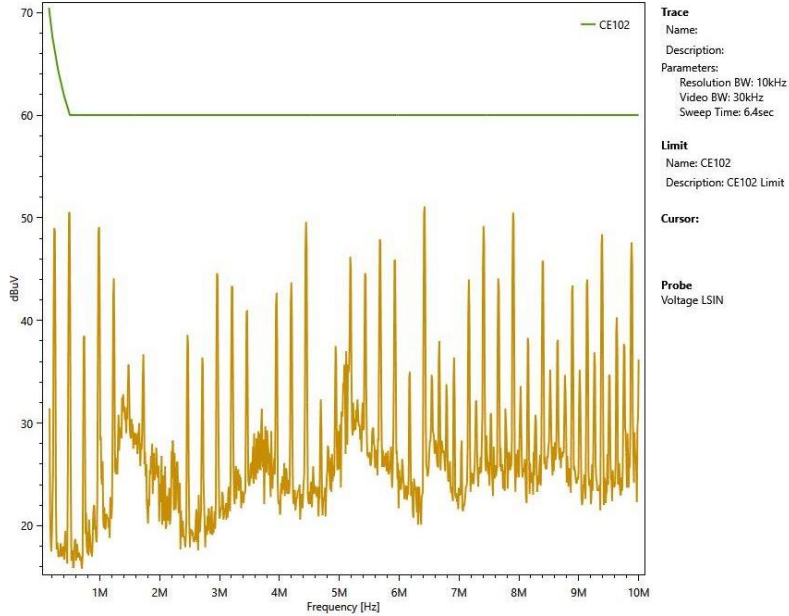
CE102 MIL-STD-461F Conducted Emission, 10 kHz -150 kHz Return (nominal input voltage, full load)



M8254 SERIES DC/DC POWER SUPPLY

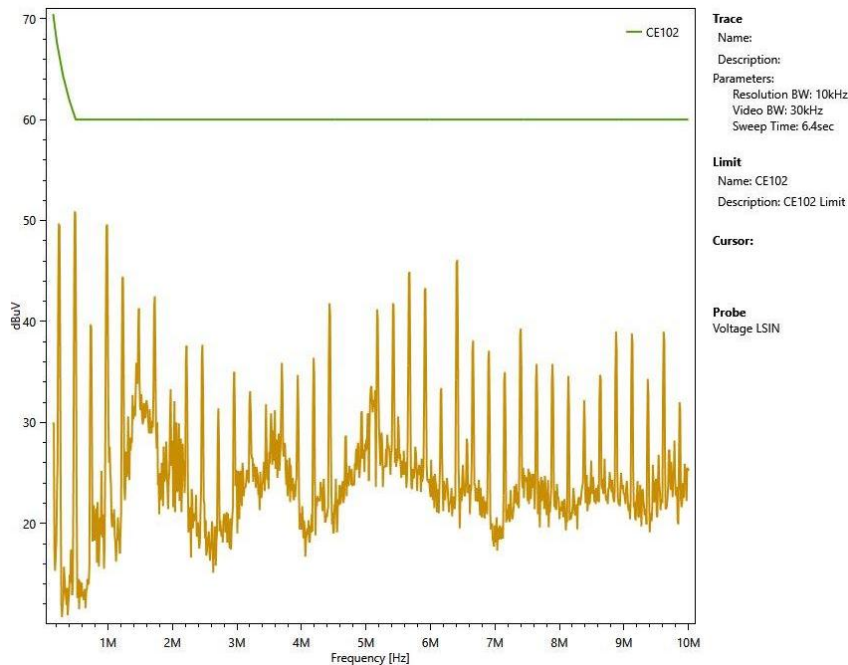
CE102 MIL-STD-461F Conducted Emission, 150 kHz - 10 MHz

Return (nominal input voltage, full load)



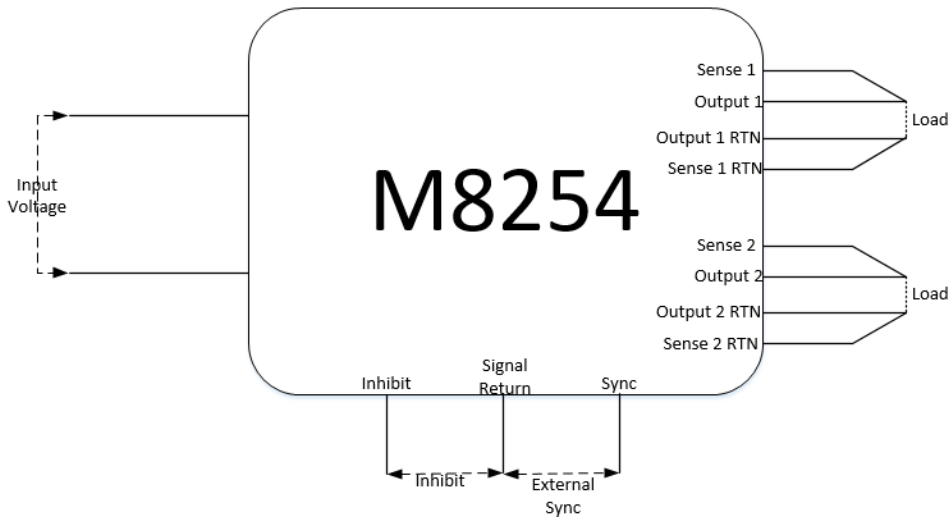
CE102 MIL-STD-461F Conducted Emission, 150 kHz - 10 MHz

Line (nominal input voltage, full load)



M8254 SERIES DC/DC POWER SUPPLY

TYPICAL CONNECTION DIAGRAM



Outputs Range

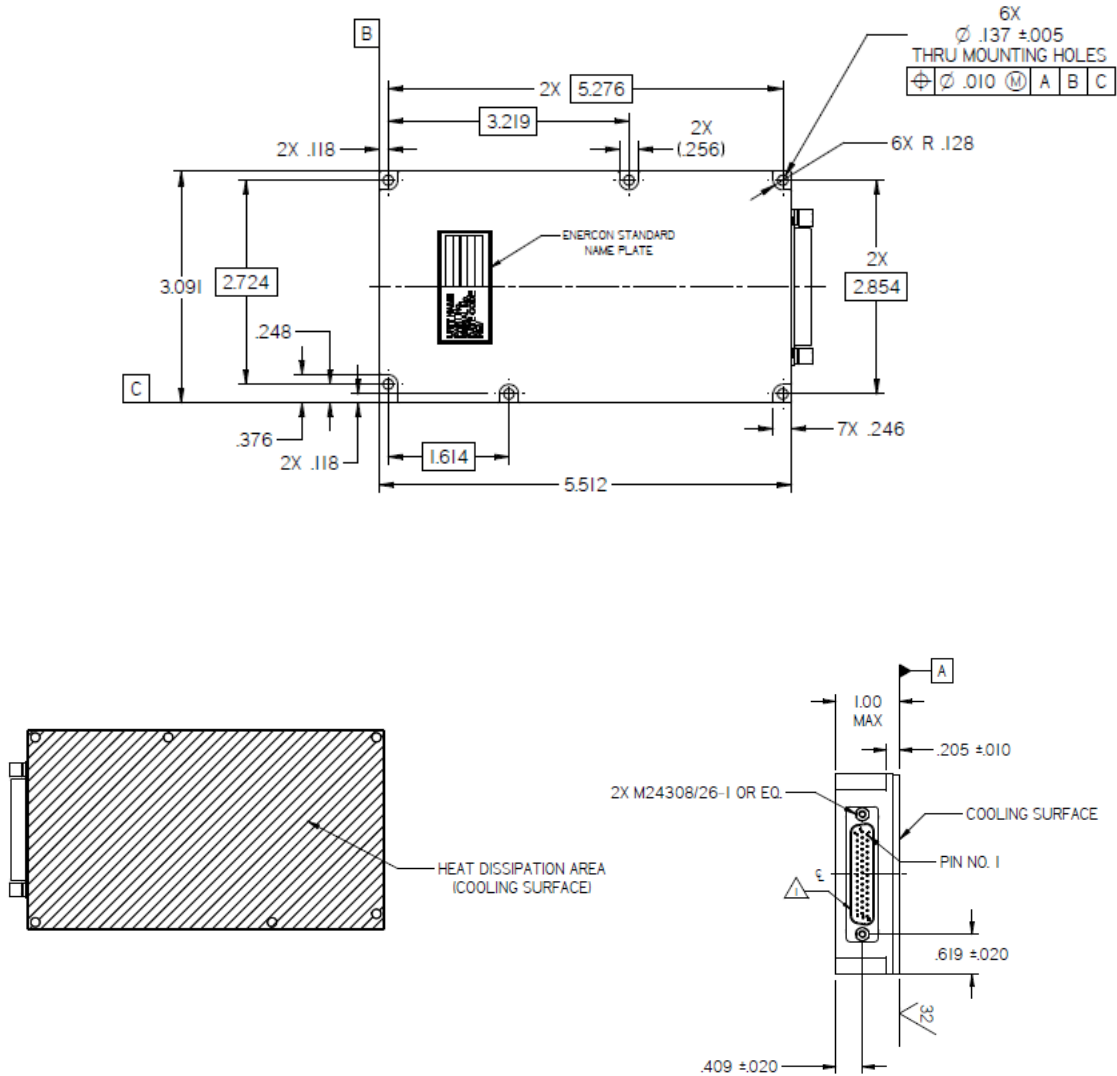
Output #	Voltage Range	Current Range	Output Regulation	Power Range
1	3.3 to 48 V _{DC}	0-18A	±%1	0 to 160 W
2	3.3 to 48 V _{DC}	0-12A	±%1	0 to 40 W
Total				0 to 200 W *

*Depending on the input voltage.

M8254 SERIES DC/DC POWER SUPPLY

OUTLINE DIMENSIONS:

For detailed dimensions and tolerances see Drawing: M8254001



Please note: Specifications are subject to change without prior notice by the manufacturer.