

M9527 SERIES

28V SWITCH MODULE



PRODUCT HIGHLIGHTS

- **Short Circuit Current Limit Adjustable**
- **Overload Breaking Current Adjustable**
- **I2C Communication**
- **Discrete Operation Option**

M9527 SERIES 28V SWITCH MODULE

Electrical Specifications

DC Input

Input: 0 to 50 VDC

V_{CC}: 3 to 5.5 VDC

V_{CC} Supply Current: 25mA Typical

Control

- I2C Communication see
- Open drain fault discrete signal
- On/Off discrete signal

DC Output

- Input-to-Output impedance: Less than 2.5 mΩ @ 25 °C
- Max load capacitance per channel: 3 mF

EMC

Complies with MIL-STD-461F (50μH LISN): RE102, CE102, CS101¹, CE101¹, CS114¹, CS115¹, CS116¹, RS103¹

Output

- Overload Breaking Current Adjustable from 2A to 30 A according to I2T curve.
- Short Circuit Current Limit Adjustable from 10 A to 125 A according to SCL curve.

Note 1: Tested with full system

Environmental ¹

Design to Meet MIL-STD-810G

Temperature

Operating: -55°C to +125°C at ambient
Storage: -55°C to +125°C

Altitude

Method 500.5, Procedure I & II
Storage/Air Transport: 40 kft
Operation/Air carriage: 70 kft

Salt Fog:

Method 509.5

Fungus

Does not support fungus growth, in accordance with the guidelines of MIL-STD-454, Requirement 4.

Humidity

Method 507.5, Up to 95% RH

Shock¹

Method 516.6
40g, 11msec saw-tooth (all directions)

Vibration¹

Figure 514.6E-1. General minimum integrity exposure. (1 hour per axis.)

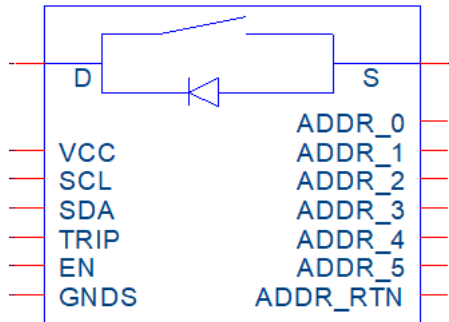
Note 1: Tested with full system

Reliability

2,529,861 hours, calculated IAW MIL-HDBK-217F Notice 2 at +85°C, Ground fixed conditions.

M9527 SERIES 28V SWITCH MODULE

Functions and Signals



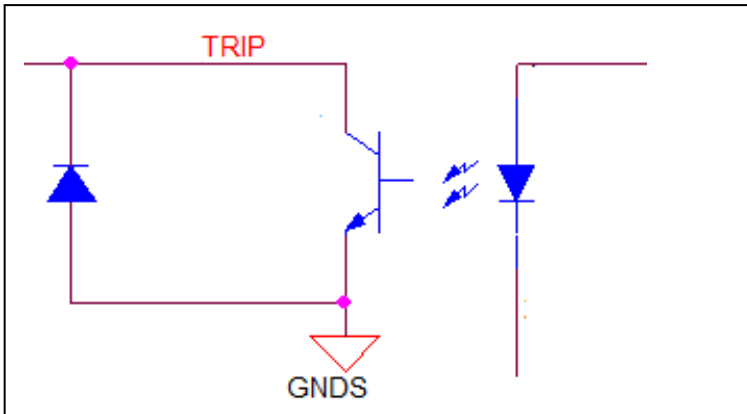
Signal Name	M9527-100 Pinout	Description
VCC	1	Control supply voltage with respect to GNDS.
SDA	3	I2C bus Data.
SCL	5	I2C bus Clock.
TRIP	7	Open drain fault discrete signal. See Figure 1.
EN	9	The Enable signal is used to turn the SWITCH BRICK ON and OFF.
ADDR_0	2	Used for Slave Device Addressing.
ADDR_1	4	Used for Slave Device Addressing.
ADDR_2	6	Used for Slave Device Addressing.
ADDR_3	8	Used for Slave Device Addressing.
ADDR_4	10	Used for Slave Device Addressing.
ADDR_5	12	Used for Slave Device Addressing.
ADDR_RTN	14	Used for Slave Device Addressing.
GNDS	11,13	ground for I2C, TRIP, EN and VCC.
D	15	Drain for Power Path. For positive voltage switch it will be the input voltage side connection.
S	16	Source for Power Path. For positive voltage switch it will be the load side connection.

M9527 SERIES 28V SWITCH MODULE

Top View M9527-100:



Figure 1 – Trip stage



1. Typical Tests Results

2. Typical Characteristics

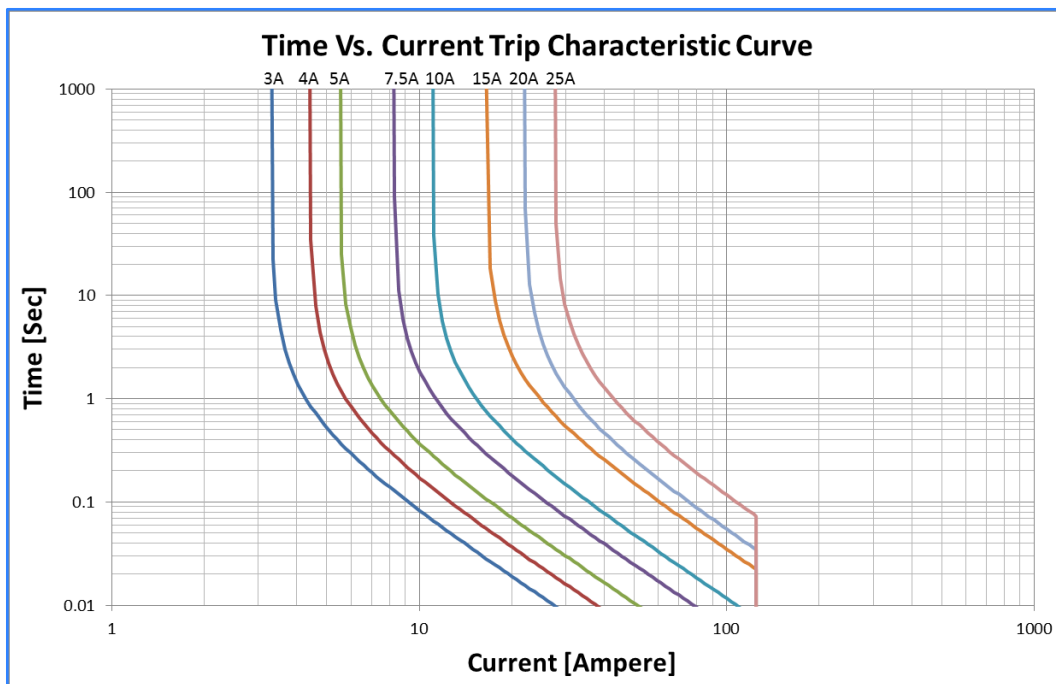


Figure 2 - Time vs. Current Trip

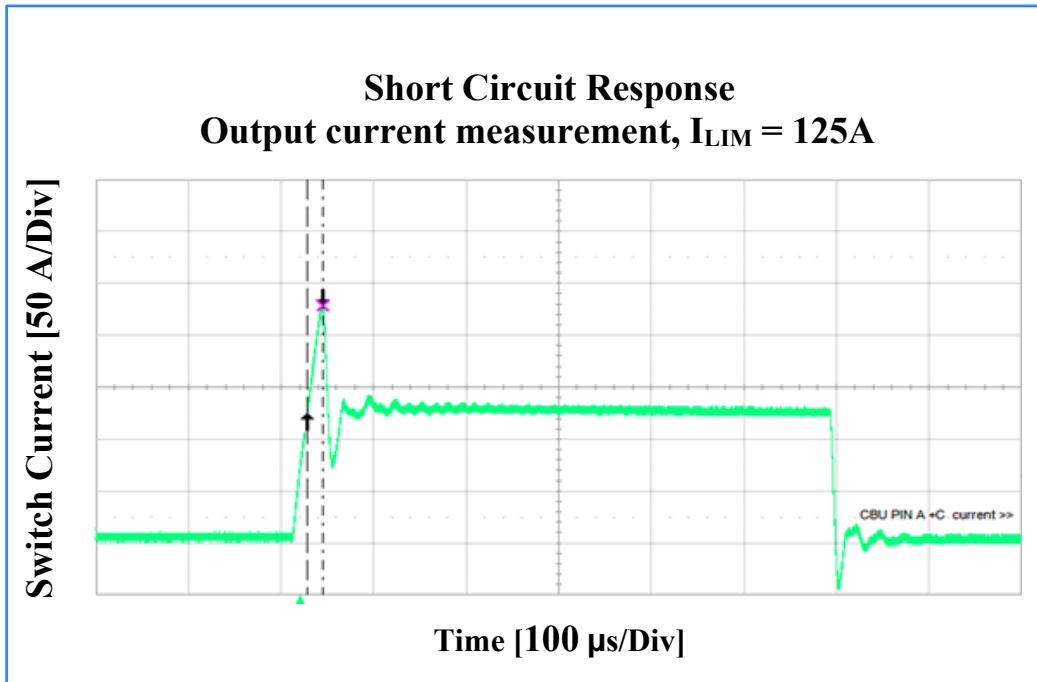


Figure 3 - Short Circuit Response

1. I2C Protocol

Slave Address:

For $0 \leq ADDR \leq 7 \rightarrow ADDR + 0x70$

For other Address = ADDR

Slave will be read as a memory device with one byte of internal address.

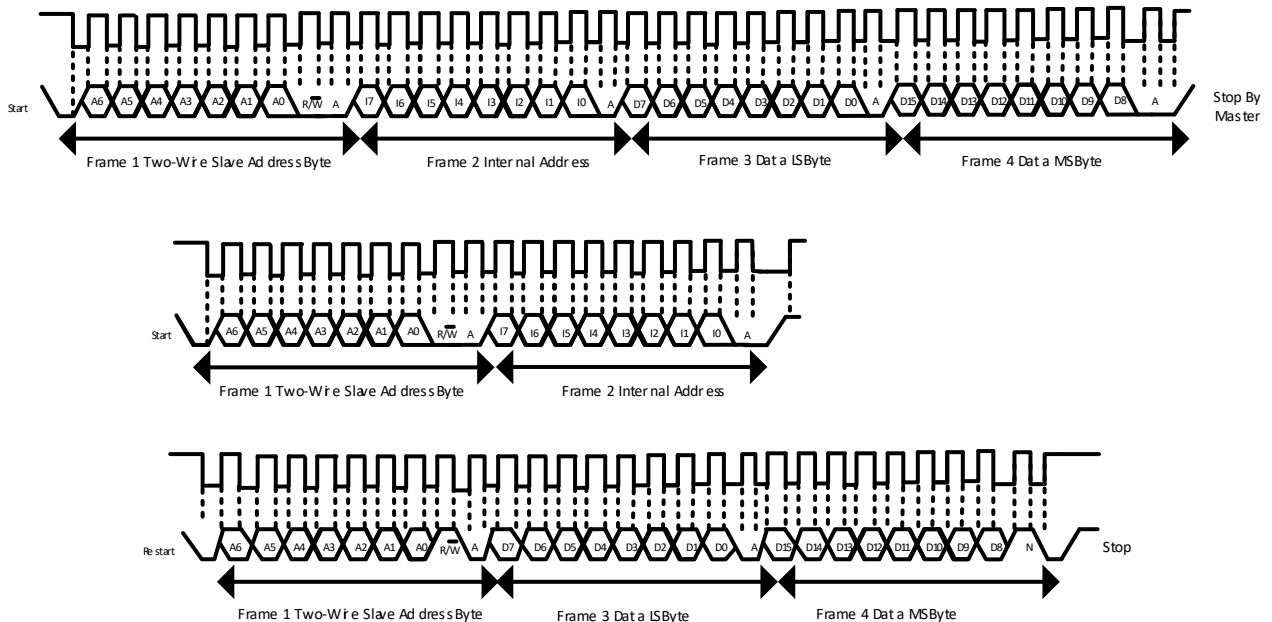
Byte order shall be little endian. For example, 01h address will be the LSB of VOUT1.

Internal Address	Name	Function	R/W	Number of bytes	notes
00h	STAT	Status Register	R	1	STAT[0] = Reset Flag (RST) STAT[1] = Switch State ('1' = ON) STAT[2] = Trip Status ('1' = Fault) STAT[3] = Short Status ('1' = Trip from short circuit) STAT[4:7] = Reserved
01h	OUTCURR	Load Current Measurement	R	2	LSB = 62.5mA
03h	VOLTD	Voltage Drop Measurement	R	2	LSB = 62.5mV
05h	TEMP	Temperature Measurement	R	2	LSB = 0.0625°C

M9527 SERIES 28V SWITCH MODULE

07h	I2TACC	I ² t Status	R	3	I ² t accumulator with respect to I2T_LIM
0ah	CTRL	Control Register	RW	1	CTRL[0] = Switch Enable ('1' = En) CTRL[1] = Trip Reset ('1' = Reset) CTRL[2] = Reset Flag (RST , Reset value = '1') CTRL[4:7] = Battle Mode (0xD = Battle Enable)
0bh	OLCL	Overload Current Limit	RW	2	LSB = 62.5mA
0dh	I2T_LIM	Maximal I ² t Setting	WR	3	Thermal Constant(TC) is the trip time for twice of the overload current setting. I2TACC can be set by following formula: I2TACC = (I _{OVERLOAD} * 16) ² * TC * 16 TC [s], I _{OVERLOAD} [A]
10h	SCCL	Short Circuit Current Limit	RW	2	LSB = 62.5mA

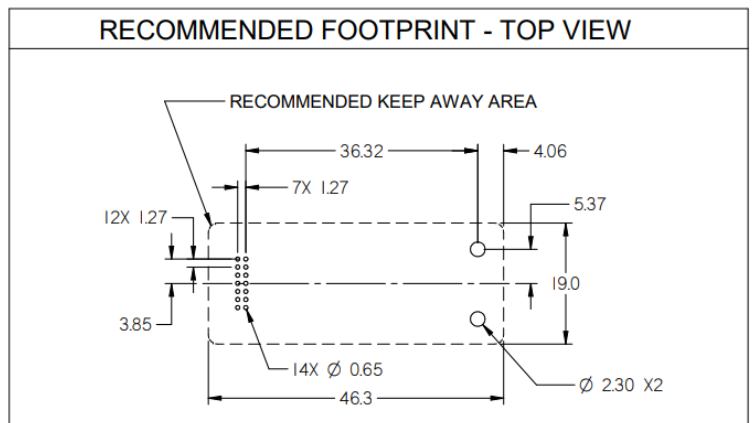
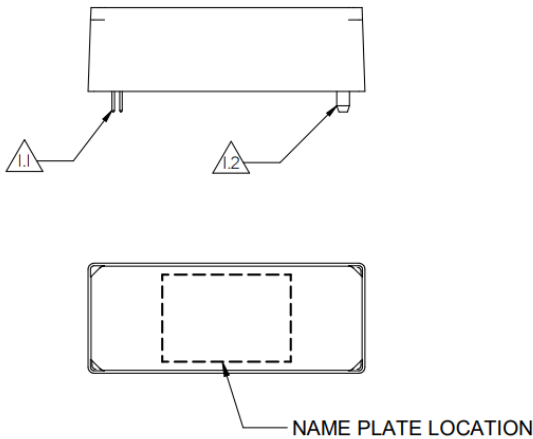
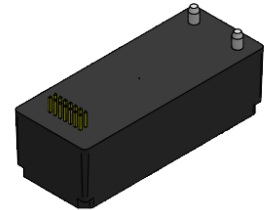
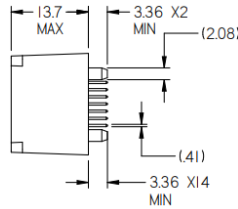
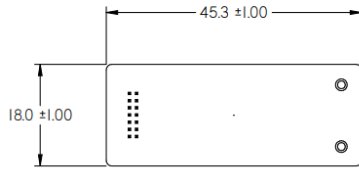
Timing Diagram



A[0:6] – Address
 D[0:15] – Data
 I[0:7] – Internal Address
 A – ACK
 N – NACK

M9527 SERIES 28V SWITCH MODULE

Outline Drawing



NOTES :

1. CONNECTORS LIST:
 - 1.1. - SAMTEC CONNECTOR P/N: FW-07-05-F-D-380-150 OR EQ.
FINISH: PHOS BRONZE, GOLD FLASH, OR EQ.
 - 1.2. - CAMBION PINS P/N: 460-1524-02-04-00 OR EQ.
FINISH: BRASS, ELECTRO-TIN OVER COPPER.
2. EXTERNAL MATERIAL: POTTING - POLYURETHANE RESIN OR EQ.
3. MAX WEIGHT: 30[gram]

Notes

1. Dimensions are in mm
2. 3D model available
3. General Tolerances:
 - X.X ± 0.5
 - X.XX ± 0.25

M9527 SERIES 28V SWITCH MODULE

Standard Configurations

Part Number	Input		Output	
	Input Voltage range	V _{CC}	Voltage	Current
M9527-100	0 to 50 V _{DC}	3 to 5.5 V _{DC}	Following Input	Adjustable

Note: Specifications are subject to change without prior notice by the manufacturer.